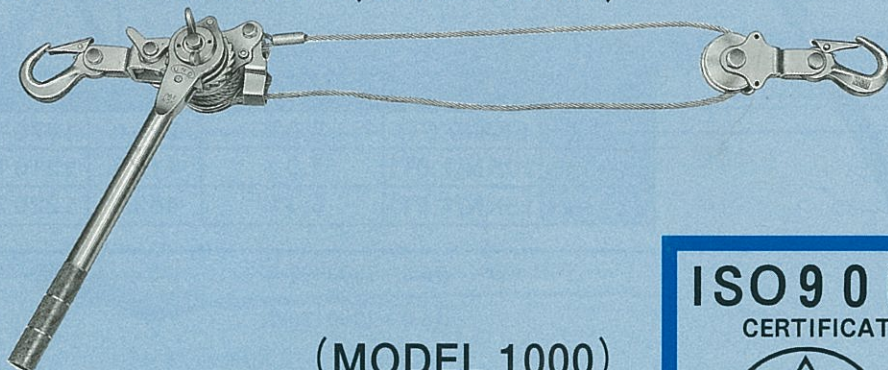


NAGAKI TOOL GUIDE



RATCHET PULLERS (5KN~60KN)



(MODEL 1000)

ISO 9001:2000

CERTIFICATED



Accredited by RvA

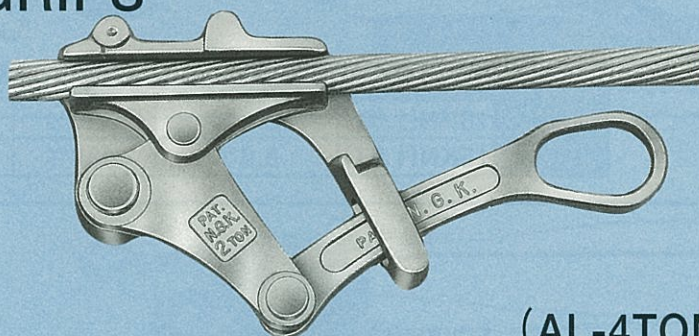
86-93



REGISTERED FIRM

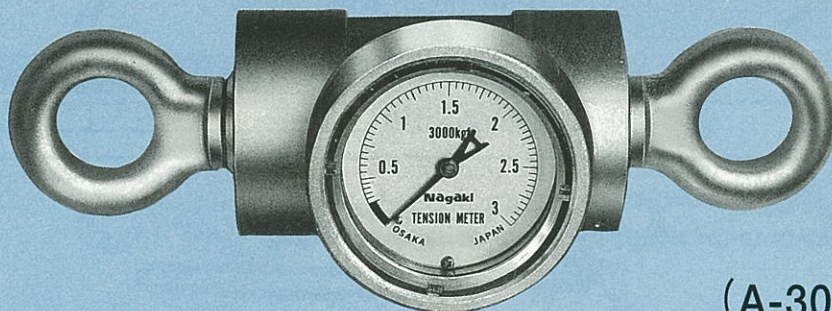
No. 0558

WIRE GRIPS



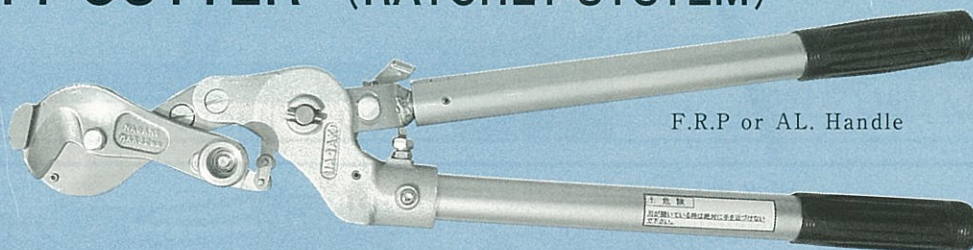
(AL-4TON-GRIP)

TENSION METERS (A-1~A-100)



(A-30)

MIGHTY CUTTER (RATCHET SYSTEM)



F.R.P or AL. Handle

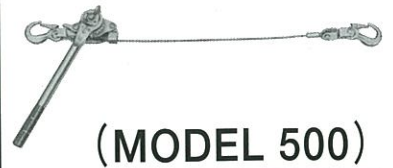
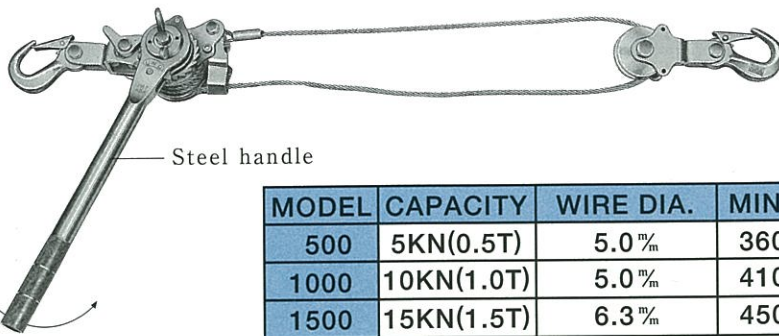
AC SR	HAL	CU	ST	LENGTH	WEIGHT
160mm ²	400mm ²	150mm ²	55mm ²	600 ^{mm}	FRP2.8kg AL2.7kg

(N.G.K) NAGAKI TOOLS ARE APPROVED AND USED BY UTILITIES IN JAPAN AND ABROAD.

NAGAKI RATCHET PULLERS

MODEL

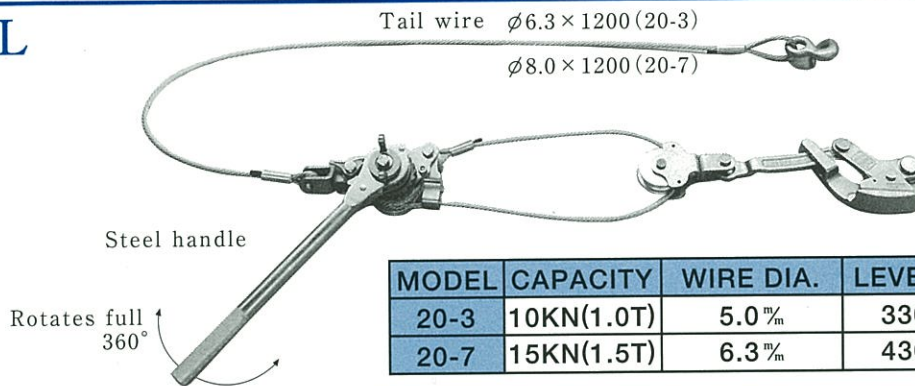
- 500
(Single Wire)
- 1000
(Double Wire)
- 1500
(Double Wire)



MODEL	CAPACITY	WIRE DIA.	MIN. L.	MAX. L.	LEVER L.	WT.
500	5KN(0.5T)	5.0 ^m	360 ^m	1370 ^m	330 ^m	2.4kg
1000	10KN(1.0T)	5.0 ^m	410 ^m	1210 ^m	330 ^m	3.1kg
1500	15KN(1.5T)	6.3 ^m	450 ^m	1220 ^m	430 ^m	4.3kg

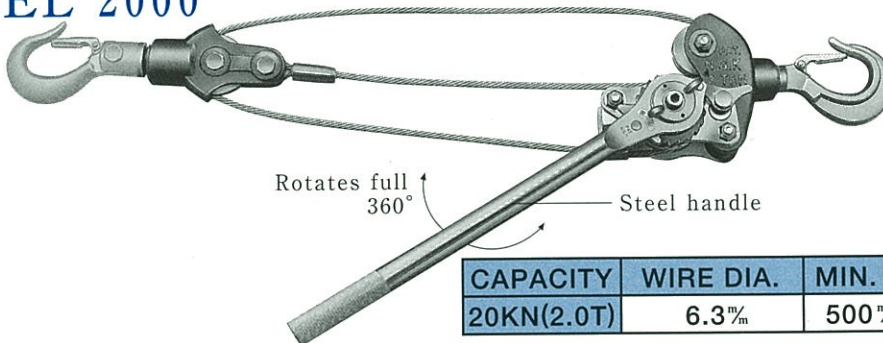
MODEL

- 20-3
- 20-7



MODEL	CAPACITY	WIRE DIA.	LEVER L.	GRIP	WT.
20-3	10KN(1.0T)	5.0 ^m	330 ^m	1TON	4.2kg
20-7	15KN(1.5T)	6.3 ^m	430 ^m	2TON	5.5kg

MODEL 2000

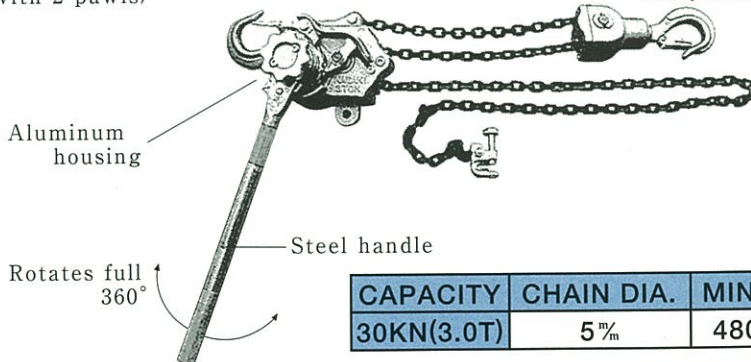


CAPACITY	WIRE DIA.	MIN. L.	MAX. L.	LEVER L.	WT.
20KN(2.0T)	6.3 ^m	500 ^m	1260 ^m	430 ^m	6kg

MODEL 3000

(with 2 pawls)

Alloy link chain (Length available)



NEW

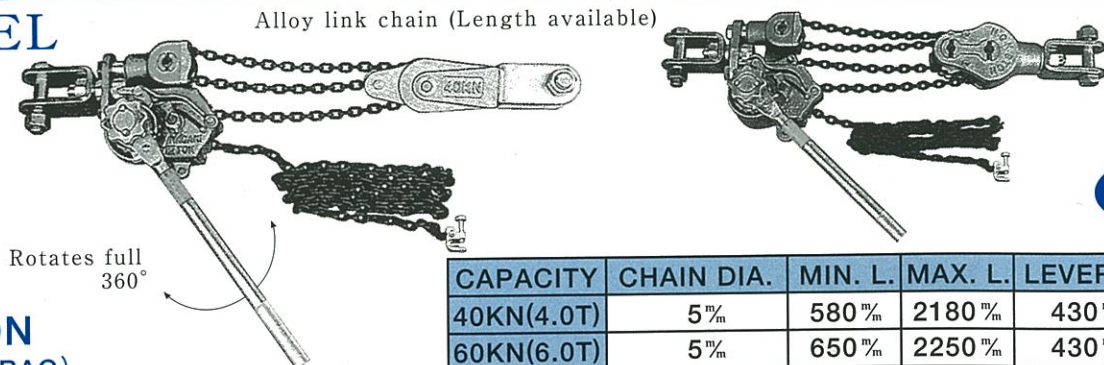
OPTION
(CHAIN BAG)

CAPACITY	CHAIN DIA.	MIN. L.	MAX. L.	LEVER L.	WT.
30KN(3.0T)	5 ^m	480 ^m	2000 ^m	430 ^m	8kg

MODEL

- 4000
- 6000

Alloy link chain (Length available)



NEW

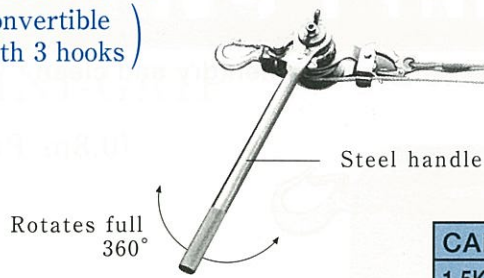
OPTION
(CHAIN BAG)

CAPACITY	CHAIN DIA.	MIN. L.	MAX. L.	LEVER L.	WT.
40KN(4.0T)	5 ^m	580 ^m	2180 ^m	430 ^m	12kg
60KN(6.0T)	5 ^m	650 ^m	2250 ^m	430 ^m	19kg

MODEL P-1500-C

(Convertible with 3 hooks)

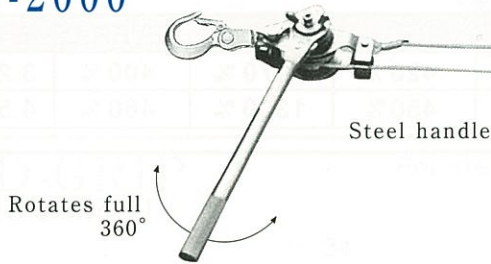
(1.4m double × 2.8m Pull single wire)



CAPACITY	WIRE DIA.	MIN. L.	MAX. L. (D/S)	LEVER L.	WT.
1.5KNX7.5KN	AIR5 ^m	460 ^m	1870/3280 ^m	430 ^m	4.1kg

MODEL P-2000

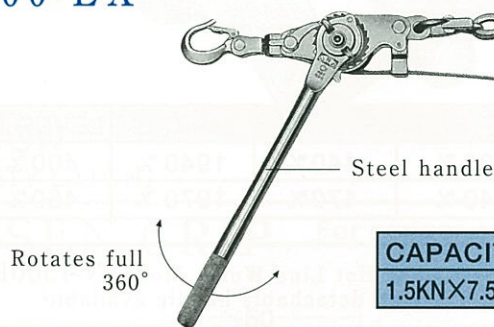
(1.4m Pull)



CAPACITY	WIRE DIA.	MIN. L.	MAX. L.	LEVER L.	WT.
20KN(2.0T)	AIR5 ^m	460 ^m	1870 ^m	430 ^m	4.1kg

MODEL P-1500-EX

(3m double × 6m Pull single wire)

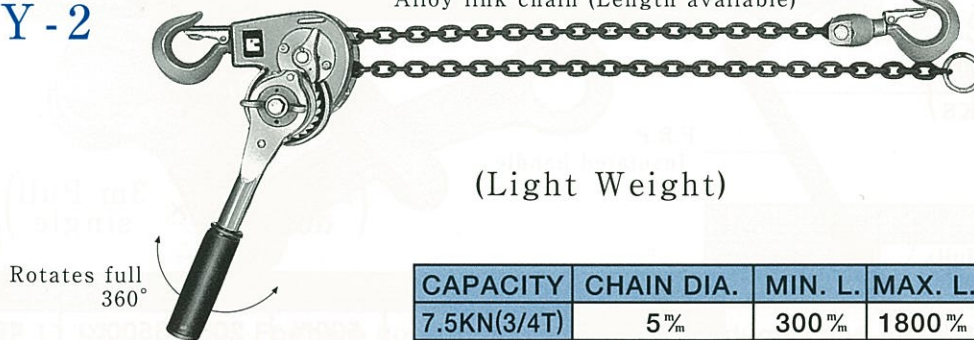


CAPACITY	WIRE DIA.	MIN. L.	MAX. L. (D/S)	LEVER L.	WT.
1.5KNX7.5KN	AIR5 ^m	500 ^m	3500/6500 ^m	430 ^m	5kg

MODEL RICKY-2

Alloy link chain (Length available)

(1.5m Pull)



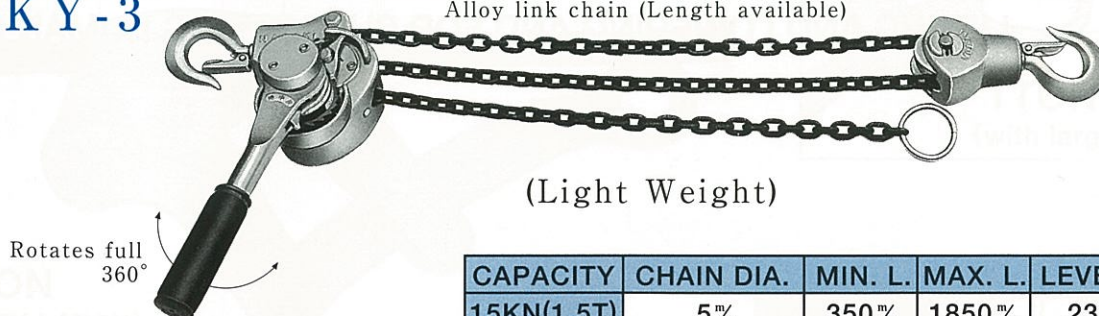
(Light Weight)

CAPACITY	CHAIN DIA.	MIN. L.	MAX. L.	LEVER L.	WT.
7.5KN(3/4T)	5 ^m	300 ^m	1800 ^m	230 ^m	4kg

MODEL RICKY-3

Alloy link chain (Length available)

(1.5m Pull)



(Light Weight)

CAPACITY	CHAIN DIA.	MIN. L.	MAX. L.	LEVER L.	WT.
15KN(1.5T)	5 ^m	350 ^m	1850 ^m	230 ^m	5kg

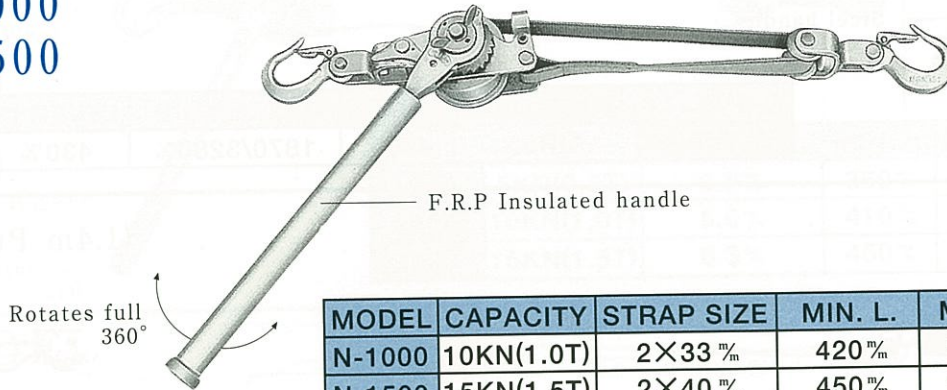
WEB-STRAP RATCHET-PULLERS

MODEL

N-1000
N-1500

All web strap can be expected insulating factor when dry and clean

(0.8m Pull)

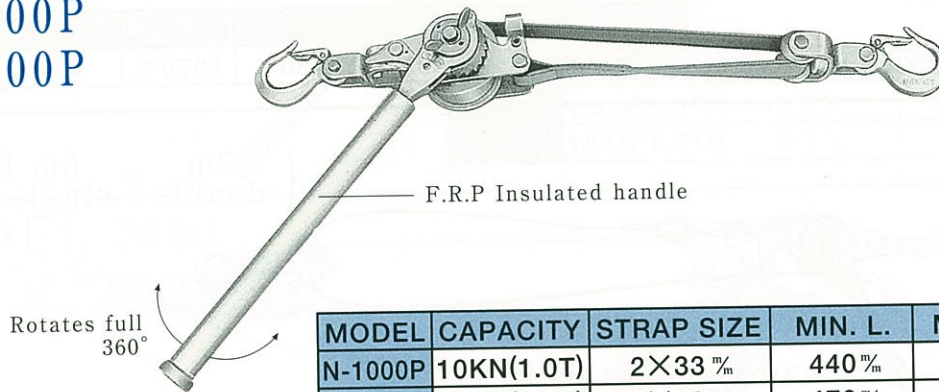


MODEL	CAPACITY	STRAP SIZE	MIN. L.	MAX. L.	LEVER L.	WT.
N-1000	10KN(1.0T)	2X33 ^m / _m	420 ^m / _m	1270 ^m / _m	400 ^m / _m	3.2kg
N-1500	15KN(1.5T)	2X40 ^m / _m	450 ^m / _m	1300 ^m / _m	460 ^m / _m	4.5kg

MODEL

N-1000P
N-1500P

(1.5m Pull)

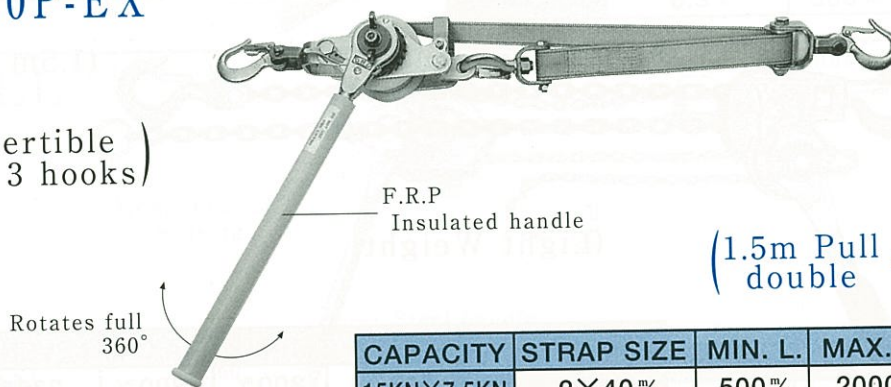


MODEL	CAPACITY	STRAP SIZE	MIN. L.	MAX. L.	LEVER L.	WT.
N-1000P	10KN(1.0T)	2X33 ^m / _m	440 ^m / _m	1940 ^m / _m	400 ^m / _m	3.3kg
N-1500P	15KN(1.5T)	2X40 ^m / _m	470 ^m / _m	1970 ^m / _m	460 ^m / _m	4.6kg

MODEL N-1500P-EX

(For Hot Line Work Model N-1500P-EX-H)
with detachable handle available

(Convertible
with 3 hooks)



(1.5m Pull double × 3m Pull single) **NEW**

CAPACITY	STRAP SIZE	MIN. L.	MAX. L. (D/S)	LEVER L.	WT.
15KNX7.5KN	2X40 ^m / _m	500 ^m / _m	2000/3500 ^m / _m	460 ^m / _m	5kg

⚠ WARNING : THE PULLERS IN THIS CATALOGUE CAN NOT BE USED FOR LIFTING AND LOWERING AND FOR SUPPORTING HUMAN CARGO!!

NAGAKI WIRE GRIPS

MINI-GRIP

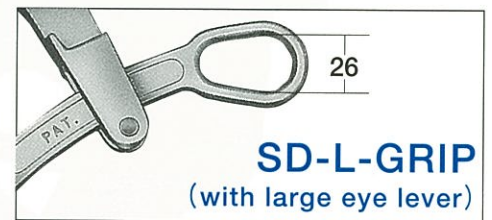
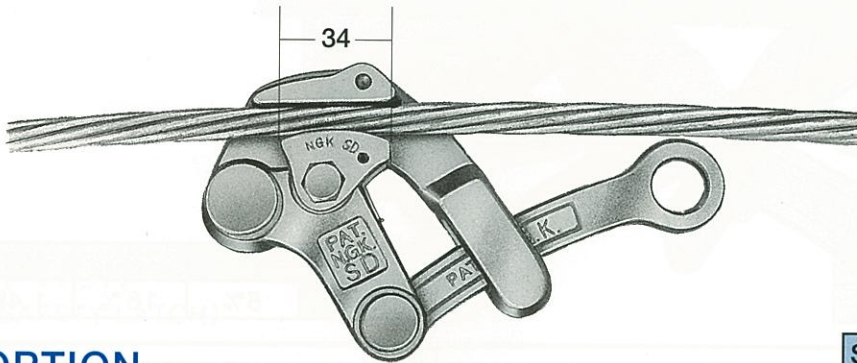
For steel rod, barbed wire and messenger wire



SAFE LOAD	MIN. ROD DIA.	MAX. ROD DIA.	WT.
5KN(0.5T)	1 ^m / _m	10 ^m / _m	0.3kg

SD-GRIP

For steel rod, copper cable and messenger wire



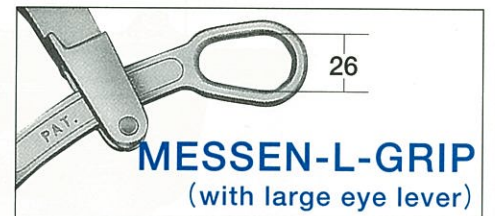
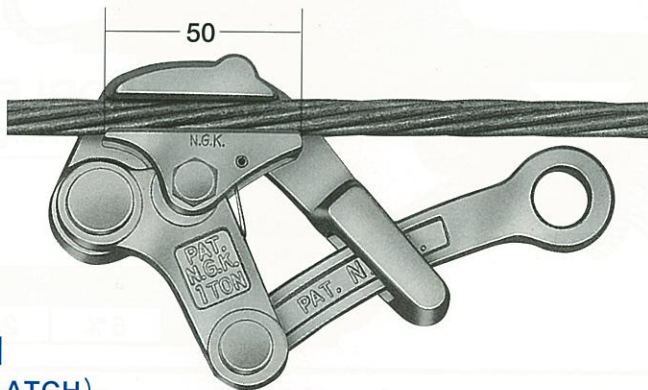
SAFE LOAD	MIN. CABLE DIA.	MAX. CABLE DIA.	WT.
10KN(1.0T)	2.6 ^m / _m	15 ^m / _m	0.6kg

OPTION

(SAFETY LATCH)

MESSEN-GRIP

For copper cable and messenger wire



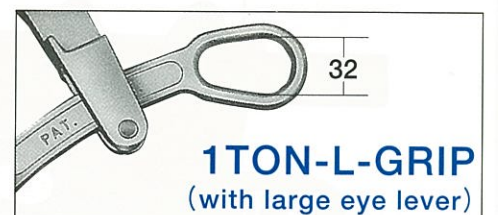
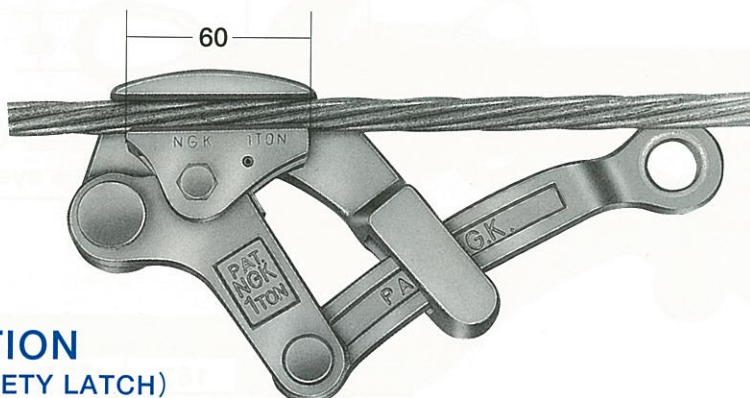
SAFE LOAD	MIN. CABLE DIA.	MAX. CABLE DIA.	WT.
10KN(1.0T)	4 ^m / _m	12 ^m / _m	0.7kg

OPTION

(SAFETY LATCH)

1TON-GRIP

For bare copper cable, covered conductor and messenger wire



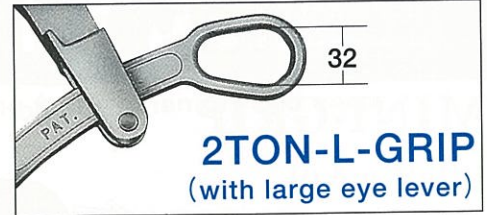
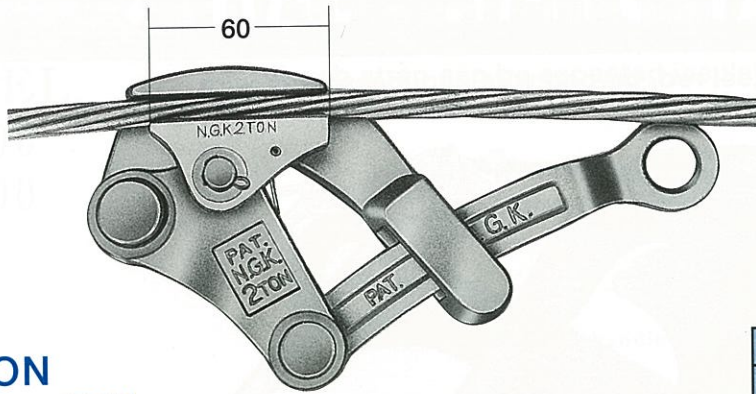
SAFE LOAD	MIN. CABLE DIA.	MAX. CABLE DIA.	WT.
10KN(1.0T)	4 ^m / _m	22 ^m / _m	1.1kg

OPTION

(SAFETY LATCH)

2TON-GRIP

For bare copper cable, covered conductor and messenger wire

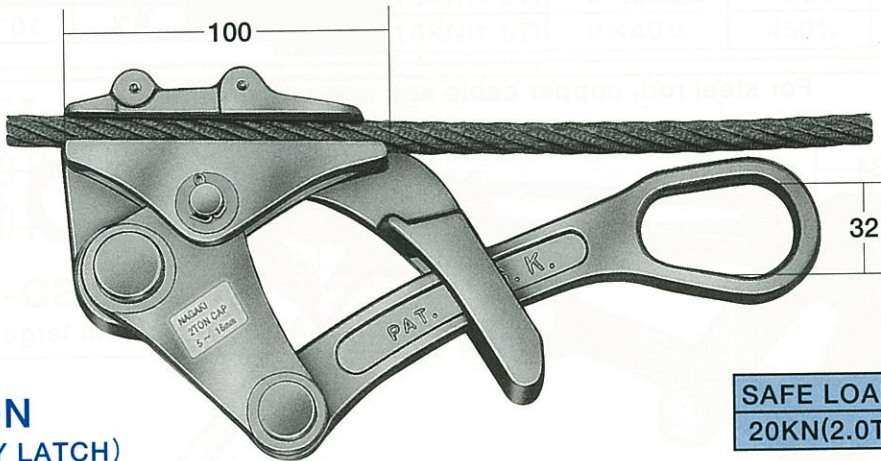


OPTION
(SAFETY LATCH)

SAFE LOAD	MIN. CABLE DIA.	MAX. CABLE DIA.	WT.
20KN(2.0T)	4 ^m	22 ^m	1.3kg

2TON-W-GRIP

For wire rope, messenger wire, copper cable, Trolley cable

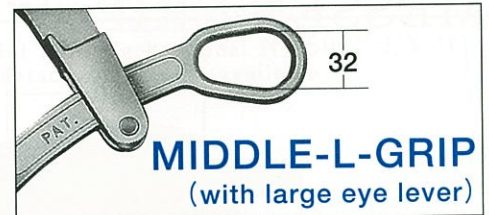
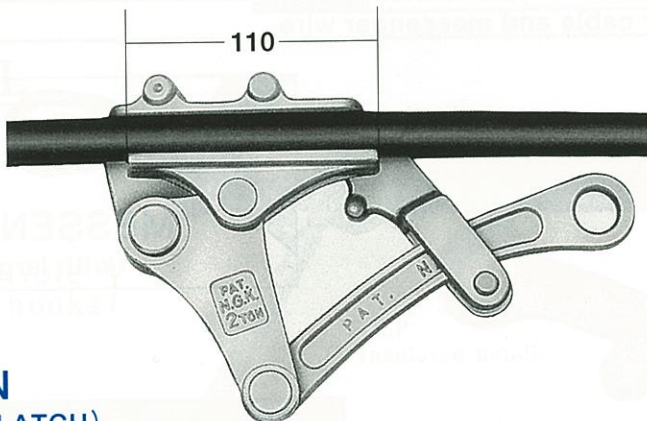


OPTION
(SAFETY LATCH)

SAFE LOAD	MIN. WIRE DIA.	MAX. WIRE DIA.	WT.
20KN(2.0T)	5 ^m	16 ^m	1.4kg

MIDDLE-GRIP

For copper cable, covered conductor and messenger wire

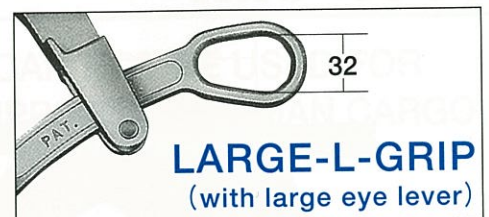
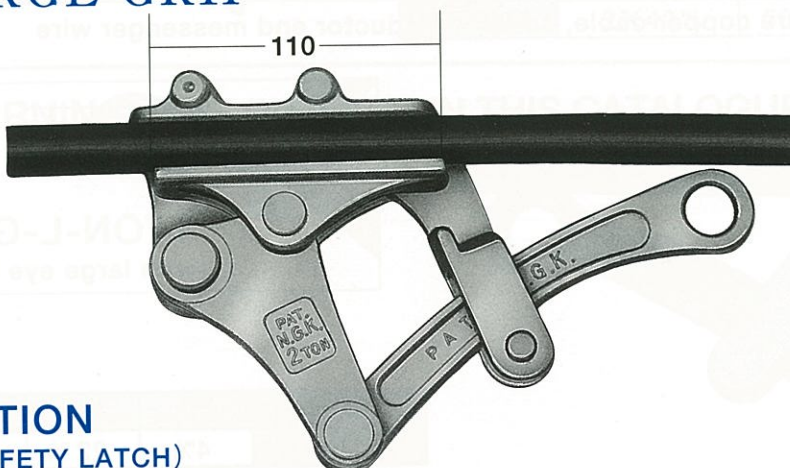


OPTION
(SAFETY LATCH)

SAFE LOAD	MIN. CABLE DIA.	MAX. CABLE DIA.	WT.
20KN(2.0T)	5 ^m	25 ^m	1.8kg

LARGE-GRIP

For copper cable and covered conductor



OPTION
(SAFETY LATCH)

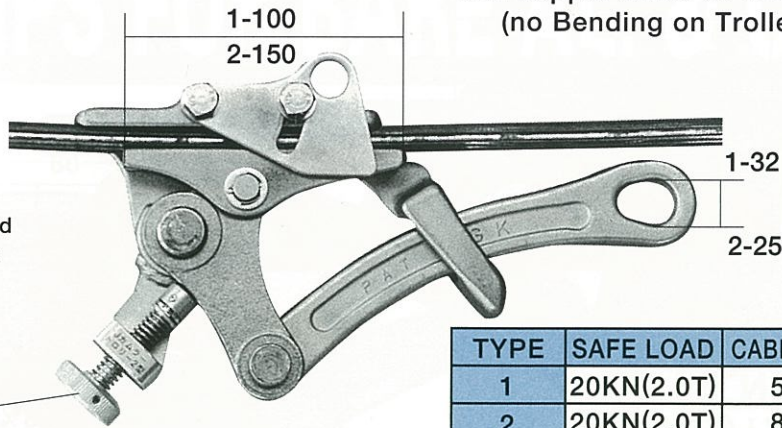
SAFE LOAD	MIN. CABLE DIA.	MAX. CABLE DIA.	WT.
20KN(2.0T)	16 ^m	32 ^m	2.1kg

TROLLEY-GRIP

TYPE-1

TYPE-2

For trolley cable, messenger wire, wire rope and copper cable of RAIL-WAY (no Bending on Trolley)



Especially Designed for RAIL-WAY work

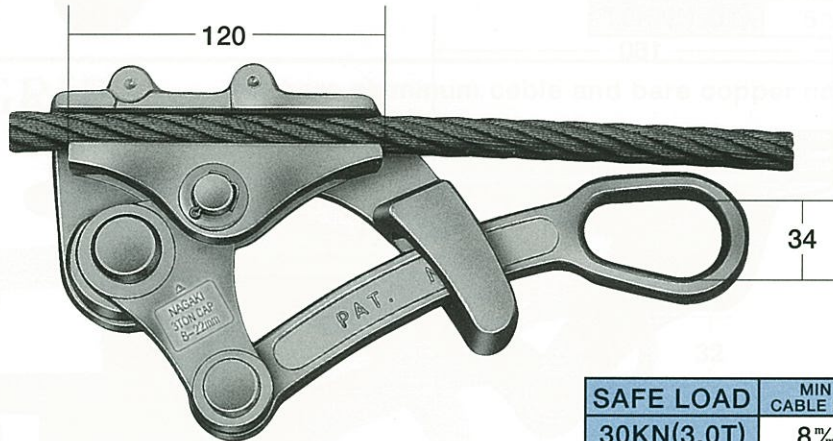
NEW

Lock (OPTION)

TYPE	SAFE LOAD	CABLE RANGE	JAW L.	WT.
1	20KN(2.0T)	5-16 $\frac{m}{m}$	100 $\frac{m}{m}$	1.5kg
2	20KN(2.0T)	8-20 $\frac{m}{m}$	150 $\frac{m}{m}$	2.8kg

3TON-GRIP

For wire rope, messenger wire, copper cable and trolley cable



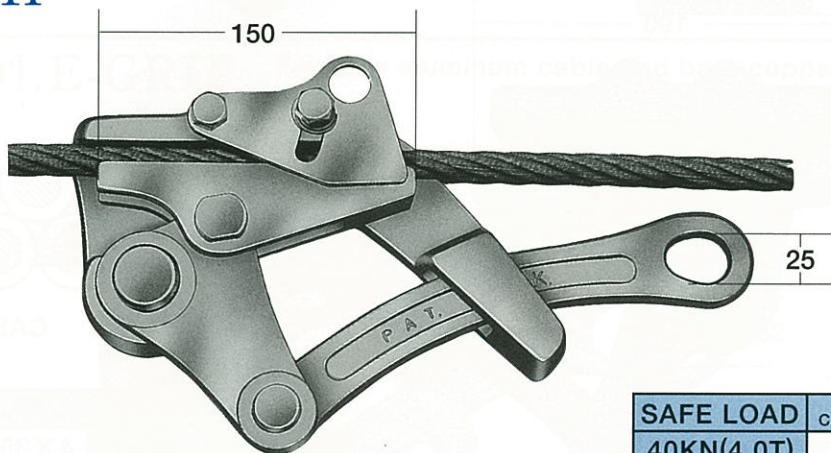
OPTION

(SAFETY LATCH)

SAFE LOAD	MIN CABLE DIA	MAX CABLE DIA	WT.
30KN(3.0T)	8 $\frac{m}{m}$	22 $\frac{m}{m}$	3kg

4TON-GRIP

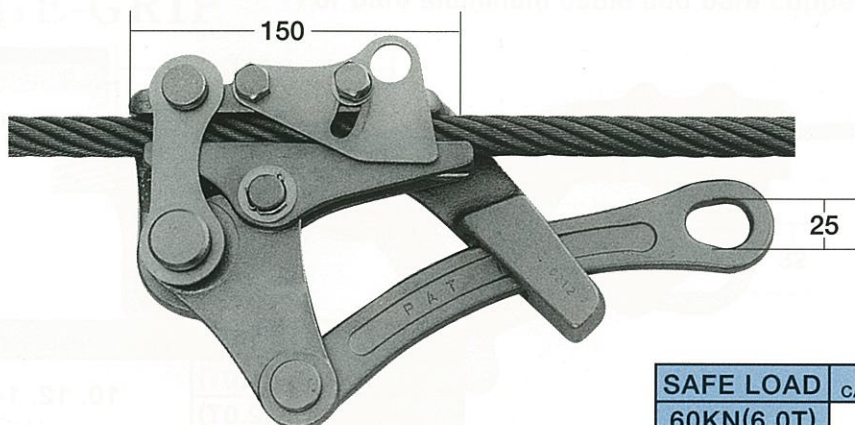
For wire rope, messenger wire, copper cable and trolley cable



SAFE LOAD	MIN CABLE DIA	MAX CABLE DIA	WT.
40KN(4.0T)	13 $\frac{m}{m}$	28 $\frac{m}{m}$	5kg

6TON-GRIP

For wire rope, messenger wire, copper cable and trolley cable

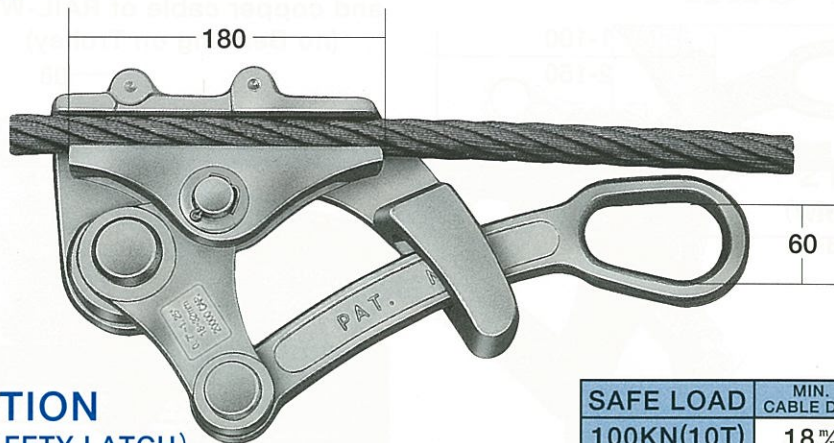


NEW

SAFE LOAD	MIN CABLE DIA	MAX CABLE DIA	WT.
60KN(6.0T)	13 $\frac{m}{m}$	28 $\frac{m}{m}$	5.2kg

10TON-GRIP

For wire rope, messenger wire



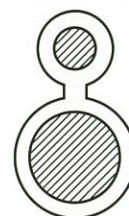
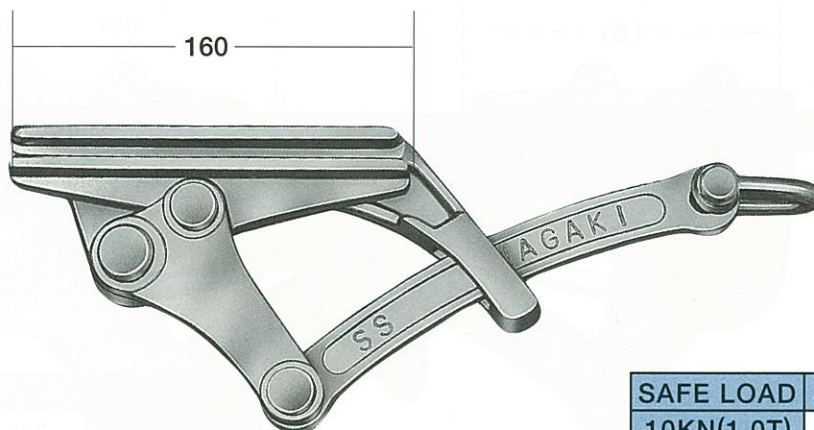
NEW

OPTION
(SAFETY LATCH)

SAFE LOAD	MIN. CABLE DIA.	MAX. CABLE DIA.	WT.
100KN(10T)	18 ^m	32 ^m	10kg

SS-GRIP

For telephon cable

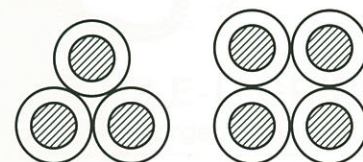
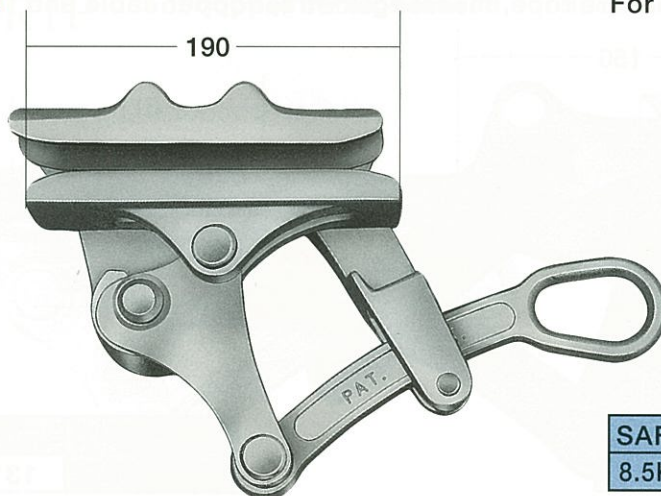


CABLE SECTION

SAFE LOAD	MIN. CABLE DIA.	MAX. CABLE DIA.	WT.
10KN(1.0T)	5 ^m	12 ^m	1.6kg

ABC-GRIP

For aerial bundled cable



CABLE SECTION

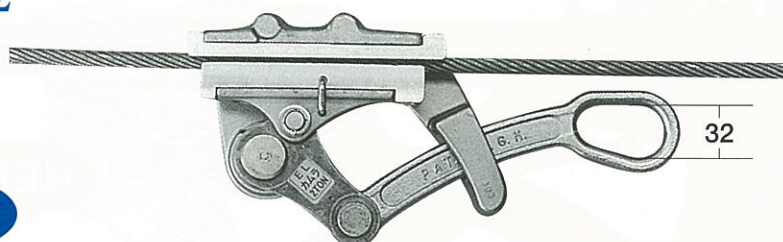
SAFE LOAD	MIN. CABLE DIA.	MAX. CABLE DIA.	WT.
8.5KN(0.85T)	4×35°	4×95°	3kg

OPTION
(SAFETY LATCH)

EL-GRIP

For elevator wire rope with no wire damage

TYPE-1
TYPE-2



Jaw Shoe



(OPTION)

NEW

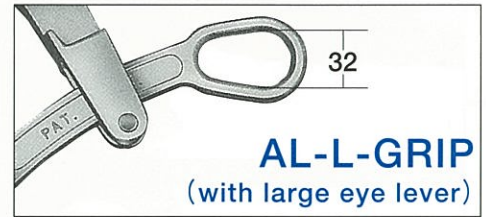
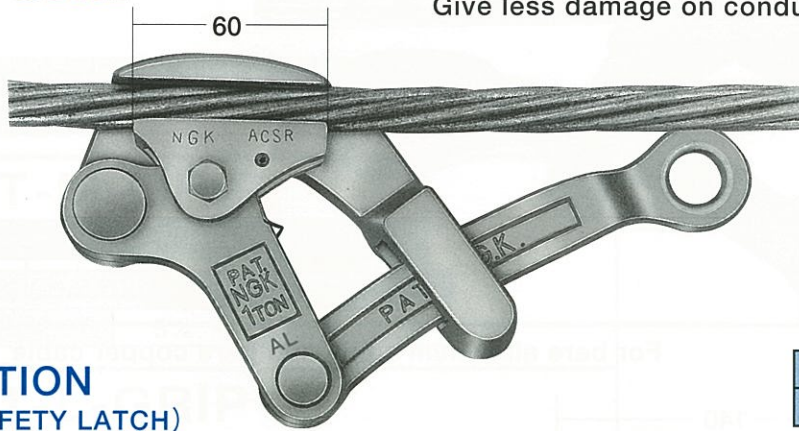
OPTION
(SAFETY LATCH)

TYPE	SAFE LOAD	Shoe for each wire rope (CABLE DIA.)
1	10KN(1.0T)	10. 12. 14. 16. 18 (°m)
2	20KN(2.0T)	

AL-GRIPS FOR BARE AL. & CU. CABLE

AL-GRIP

All AL-GRIPS are with fine, smooth jaw.
Give less damage on conductor.



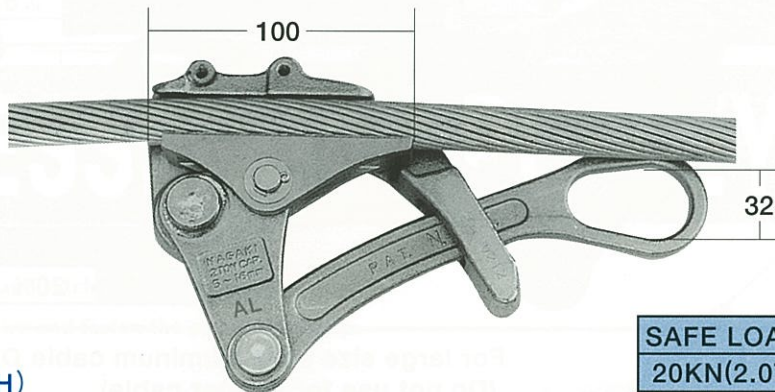
AL-L-GRIP
(with large eye lever)

OPTION
(SAFETY LATCH)

SAFE LOAD	MIN. CABLE DIA.	MAX. CABLE DIA.	WT.
10KN(1.0T)	5 ^m / _m	22 ^m / _m	1.1kg

AL-2TON-GRIP

For bare aluminum cable and bare copper cable



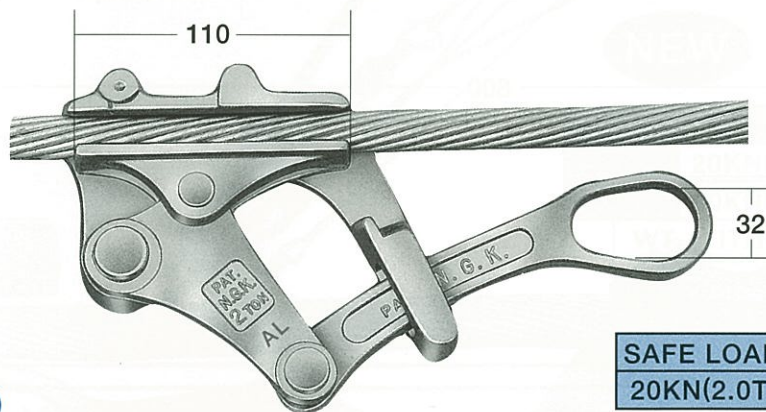
NEW

OPTION
(SAFETY LATCH)

SAFE LOAD	MIN. CABLE DIA.	MAX. CABLE DIA.	WT.
20KN(2.0T)	5 ^m / _m	16 ^m / _m	1.5kg

AL-MIDDLE-GRIP

For bare aluminum cable and bare copper cable

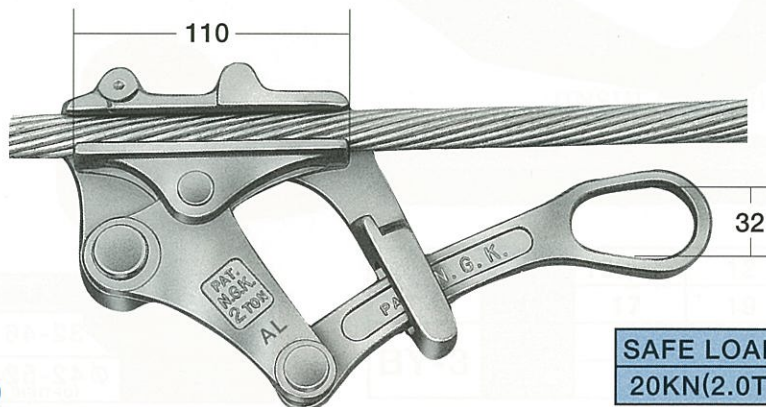


OPTION
(SAFETY LATCH)

SAFE LOAD	MIN. CABLE DIA.	MAX. CABLE DIA.	WT.
20KN(2.0T)	5 ^m / _m	25 ^m / _m	1.8kg

AL-LARGE-GRIP

For bare aluminum cable and bare copper cable



OPTION
(SAFETY LATCH)

SAFE LOAD	MIN. CABLE DIA.	MAX. CABLE DIA.	WT.
20KN(2.0T)	16 ^m / _m	32 ^m / _m	2kg

GRIPS FOR HOT LINE WORK

HOT-S-GRIP

For bare aluminum cable and bare copper cable

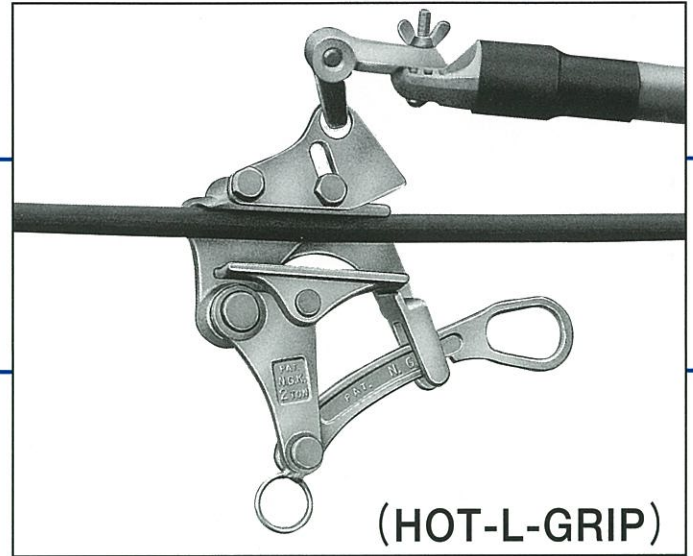
SAFE LOAD	MIN. CABLE DIA.	MAX. CABLE DIA.	WT.
20KN(2.0T)	5 ^m / _m	16 ^m / _m	1.6kg

HOT-M-GRIP

SAFE LOAD	MIN. CABLE DIA.	MAX. CABLE DIA.	WT.
20KN(2.0T)	5 ^m / _m	25 ^m / _m	2.0kg

HOT-L-GRIP

SAFE LOAD	MIN. CABLE DIA.	MAX. CABLE DIA.	WT.
20KN(2.0T)	16 ^m / _m	32 ^m / _m	2.0kg

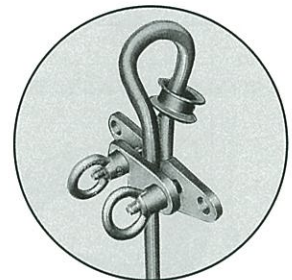


MESSENGER-PULLEY SET

1. Attach the rod-grip closely to the neck of rod.
2. Attach the wire-grip and ratchet-puller.
3. Pull the messenger-wire and fasten the pre-formed-grip.

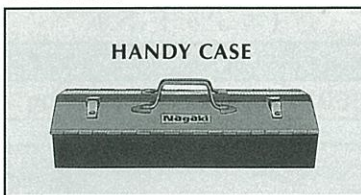
Ratchet-puller Model 1000
(option)

DETAIL OF ROD-GRIP



NEW

OPTION



MODEL	CAPACITY	ROD	WT.
2TON	20KN(2.0T)	9 ^m / _m ~ 25 ^m / _m	3.8kg
3TON	30KN(3.0T)	9 ^m / _m ~ 25 ^m / _m	6.5kg

WT. WITHOUT RATCHET PULLER

RATCHET WRENCH

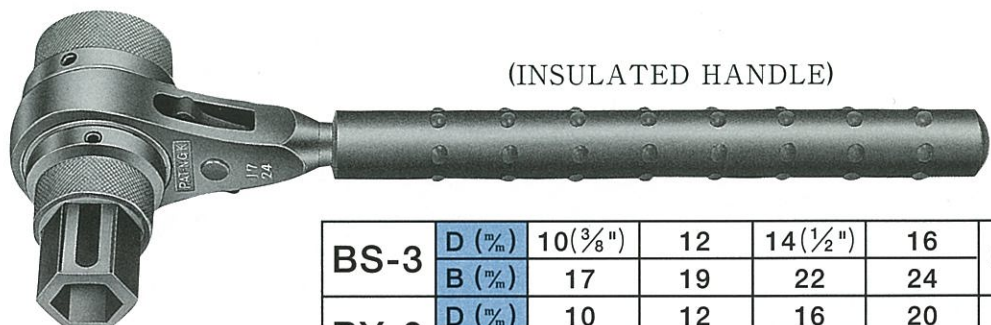
(FOUR DIFFERENT SIZE IN ONE)

MODEL

BS-3

BY-3

(INSULATED HANDLE)

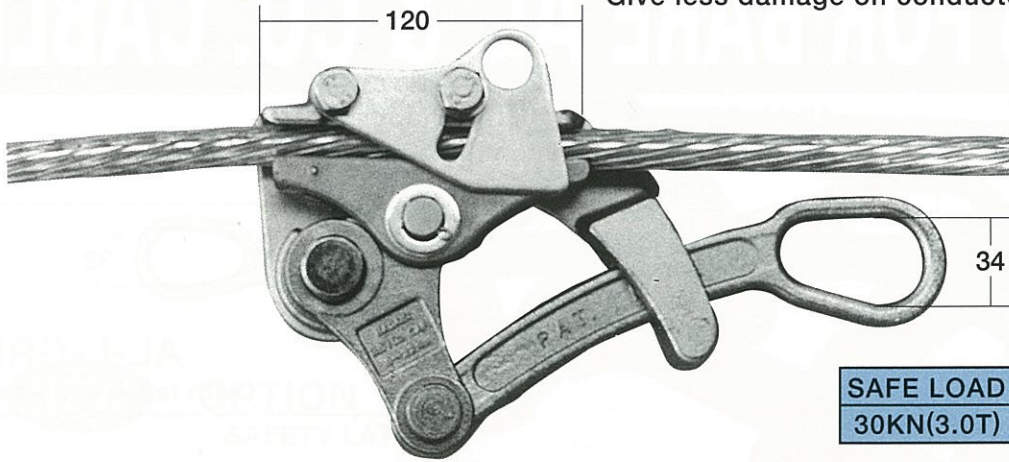


(BY-3)

BS-3	D (m/m)	10(3/8")	12	14(1/2")	16	0.65kg
	B (m/m)	17	19	22	24	
BY-3	D (m/m)	10	12	16	20	0.9kg
	B (m/m)	17	19	24	30	

AL-3TON-GRIP

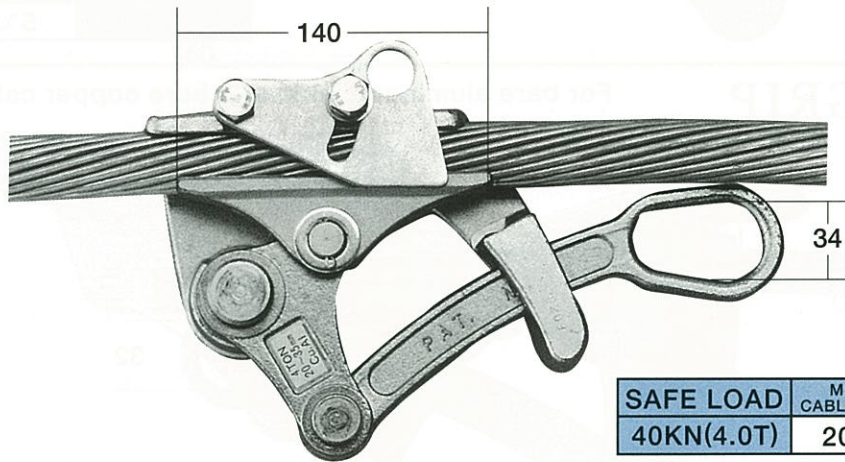
All AL-GRIPS are with fine, smooth jaw.
Give less damage on conductor.



SAFE LOAD	MIN. CABLE DIA.	MAX. CABLE DIA.	WT.
30KN(3.0T)	8 ^m	22 ^m	3kg

AL-4TON-GRIP

For bare aluminum cable and bare copper cable

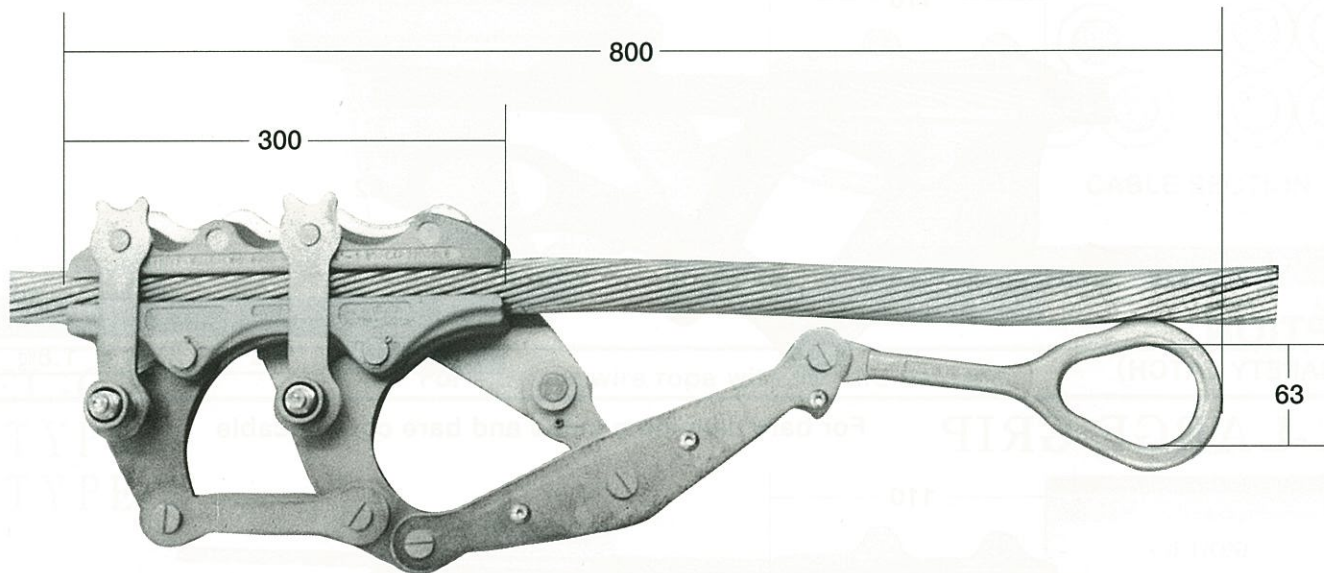


NEW

SAFE LOAD	MIN. CABLE DIA.	MAX. CABLE DIA.	WT.
40KN(4.0T)	20 ^m	35 ^m	3.7kg

AL-10TON-GRIP

For large size bare aluminum cable only
(Do not use for copper cable)



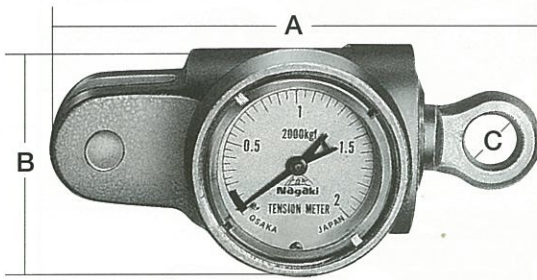
NEW

SAFE LOAD	CABLE RANGE	JAW L.	WT.
100KN(10T)	∅ 32-46 ^m	300 ^m	13kg
	∅ 42-52 ^m (OPTION)		

NAGAKI TENSION METERS

For measurement of tension and load

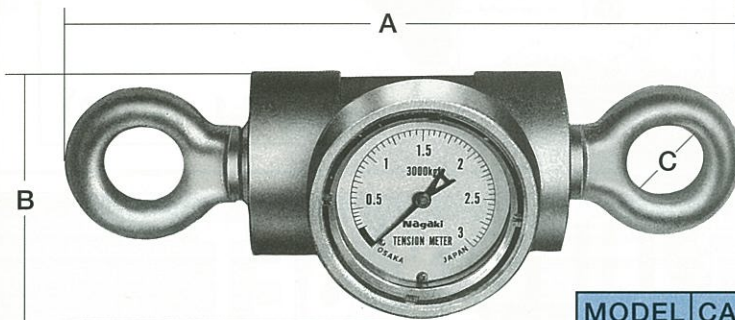
VERY SMALL, VERY LIGHT WEIGHT, VERY COMPACT
(Newton and Kg Unit)



A-1 , A-3 , A-5 , A-10 , A-20

(± 3% F.S.)

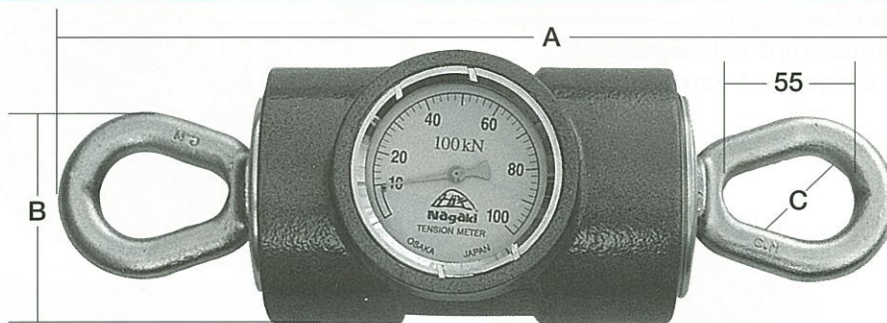
MODEL	CAPACITY	GRADUATION	A	B	C	WT.
A-1	1KN(100kg)	20N(2kg)	130 ^{m/m}	65 ^{m/m}	20 ^{m/m}	0.7kg
A-3	3KN(300kg)	50N(5kg)	110 ^{m/m}	65 ^{m/m}	16 ^{m/m}	0.7kg
A-5	5KN(500kg)	100N(10kg)	110 ^{m/m}	65 ^{m/m}	16 ^{m/m}	0.7kg
A-10	10KN(1.0T)	200N(20kg)	135 ^{m/m}	65 ^{m/m}	16 ^{m/m}	0.8kg
A-20	20KN(2.0T)	500N(50kg)	135 ^{m/m}	65 ^{m/m}	16 ^{m/m}	1.2kg



A-30, A-50

(± 3% F.S.)

MODEL	CAPACITY	GRADUATION	A	B	C	WT.
A-30	30KN(3.0T)	500N(50kg)	150 ^{m/m}	80 ^{m/m}	28 ^{m/m}	2.0kg
A-50	50KN(5.0T)	1KN(100kg)	260 ^{m/m}	95 ^{m/m}	28 ^{m/m}	3.0kg



A-100

NEW

(± 3% F.S.)

MODEL	CAPACITY	GRADUATION	A	B	C	WT.
A-100	100KN(10T)	2KN(200kg)	360 ^{m/m}	100 ^{m/m}	38 ^{m/m}	7kg



• Please be sure to read the attached Instruction Manual prior to use.
• Please note that in case of any improvements made in the products, the above specifications may change without prior notice.

MANUFACTURED BY NAGAKI (N.G.K)
ISO 9001 : 2000 CERTIFICATED
2006.PRINTED

●Manufacturer Contact Information
NAGAKI SEIKI Co.,Ltd.
Head Office
3-4-31,Tashiden , Daito-shi, Osaka, JAPAN
574-0045
Tel:+81-72-871-3456 Fax:+81-72-871-7167
<http://www.ngk-nagaki.com>