

Jeffrey

Machine, Inc.

**DRILLING TOOLS
FIELD GUIDE**

Auger Repair
& Hardening

Continuous
Flight Augers

Clean-Out
Buckets

Foundation
Augers

Utility
Augers

Core
Barrels

Pilots
& Bits

Wear
Parts



www.jeffreymachine.com

NOTES





Jeffrey Machine Incorporated

Foundation Tools & Accessories

Derrick Augers & Accessories

Light Duty Augers & Accessories

Anchor Tools & Accessories

Utility Vehicle Accessories

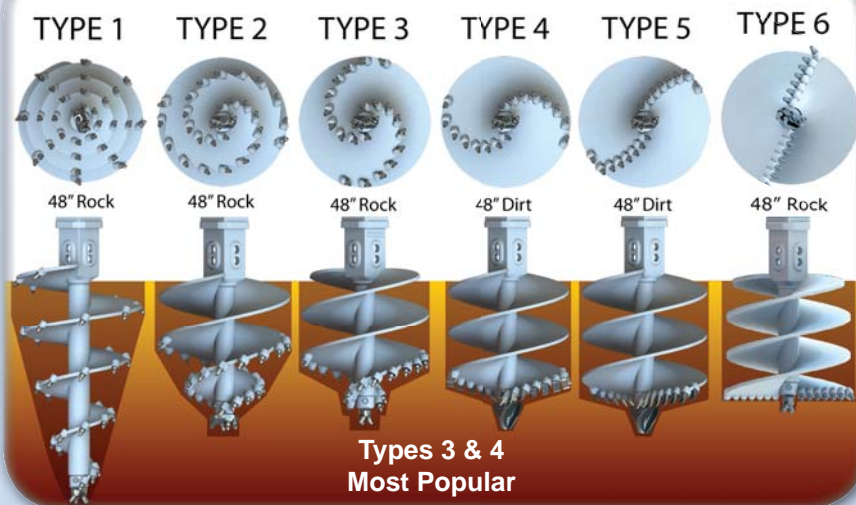
Flighting



Foundation Tools & Accessories Index

- Auger Types - 5
- Bullet Augers - 6, 7
- Pilotless Augers - 8
- Multi-Purpose Augers - 9
- Dirt Augers - 10
- Continuous Flight Augers (CFA's) - 11
- CFA Cutter Heads (Rock & Dirt) - 12
- CFA Hex Couplers - 13
- CFA Threaded Couplers - 14
- Dump Buckets - 15
- Multi-Bucket - 16
- Cleanout Bucket - 17
- Rock Drilling Bucket - 18
- Dirt Drilling Bucket - 19
- Open Top Spin Bottom - 20
- Core Barrels - 21
- Belling Tools - 22
- Retrieval Buckets - 23
- Casing Twisters - 24
- Boulder Extractor - 25
- Pilot Bits - 26, 27
- Kelly Boxes - 28
- Kelly Adapters - 29
- Teeth & Holders - 30, 31, 32

Auger Types



Six basic spiral auger types

Jeffrey Machine is proud to be the “go-to” manufacturer for high quality custom-built augers. We have recognized six basic designs in spiral augers that drillers typically call for. For your convenience and to help you in your selection, you can choose from one of these six common types when ordering.

If you need something totally different, we will be happy to add our experience to your design!

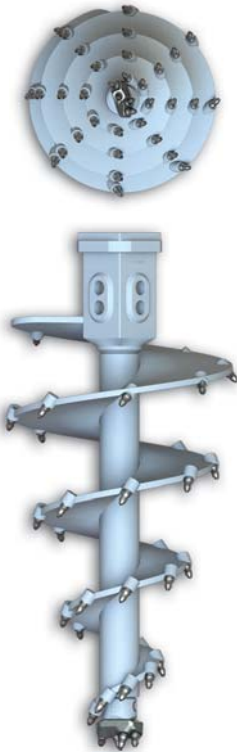


Foundation Tools

Bullet Augers

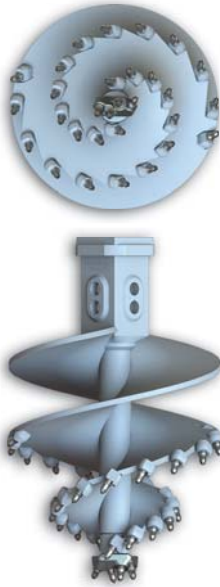
Available in sizes up to 12 feet in diameter. All of our augers are manufactured in house, so literally hundreds of modifications can be made to specifically fit your application. Just call us!

TYPE 1



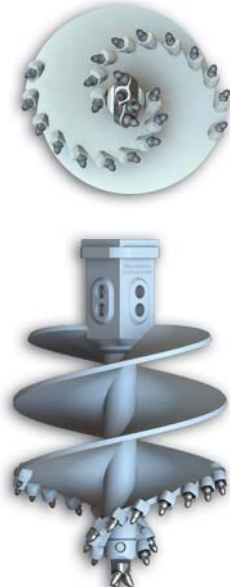
Single Cut,
Single Flight

TYPE 2



Double Cut,
Double Flight

TYPE 3



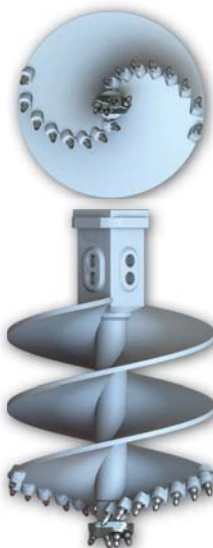
Double Cut,
Double Flight

What Can Be Modified?

- Flighting Thickness
- Multiple Flights
- Flighting Pitch
- Steel Grade
- Hardening
- Pilot
- Teeth & Holders
- Tooth Angles
- Kelly Box
- Stem

Bullet Augers

TYPE 4



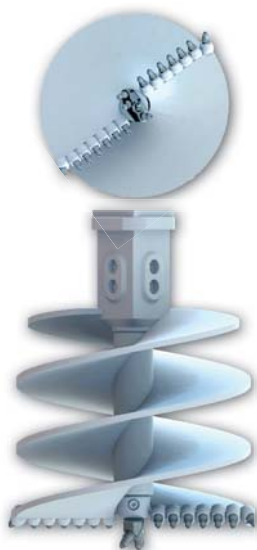
Double Cut, Double Flight

TYPE 5



Double Cut, Double Flight

TYPE 6



Double Cut, Double Flight

Diameter	Part No.*	Diameter	Part No.*
9"	9-FBA	30"	30-FBA
10"	10-FBA	36"	36-FBA
12"	12-FBA	42"	42-FBA
14"	14-FBA	48"	48-FBA
16"	16-FBA	54"	54-FBA
18"	18-FBA	60"	60-FBA
20"	20-FBA	66"	66-FBA
22"	22-FBA	72"	72-FBA
24"	24-FBA	84"	84-FBA
28"	28-FBA	96"	96-FBA

*Please signify Auger Type when ordering.



Foundation Tools

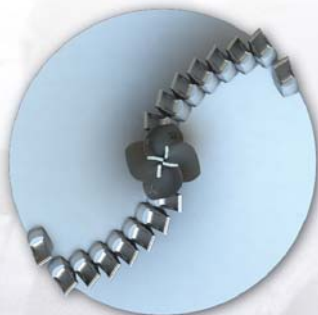
Pilotless Auger



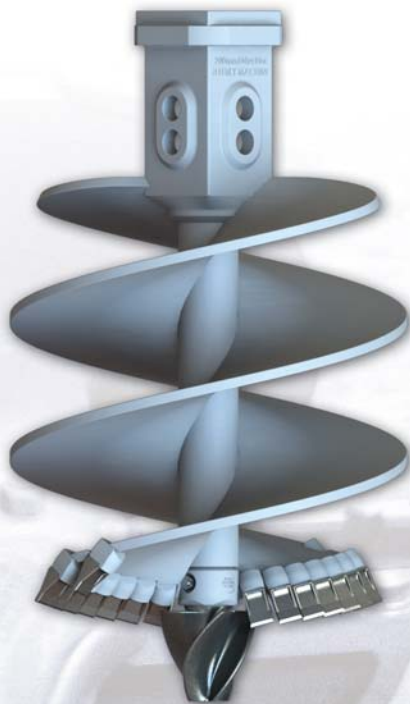
Auger shown is double cut

Diameter	Part No.	Diameter	Part No.
9"	9-FDCPA	30"	30-FDCPA
10"	10-FDCPA	36"	36-FDCPA
12"	12-FDCPA	42"	42-FDCPA
14"	14-FDCPA	48"	48-FDCPA
16"	16-FDCPA	54"	54-FDCPA
18"	18-FDCPA	60"	60-FDCPA
20"	20-FDCPA	66"	66-FDCPA
22"	22-FDCPA	72"	72-FDCPA
24"	24-FDCPA	84"	84-FDCPA
28"	28-FDCPA	96"	96-FDCPA

Multi-Purpose Auger



Auger shown is
double cut, double
flight



Diameter	Part No.	Diameter	Part No.
9"	9-FMPA	30"	30-FMPA
10"	10-FMPA	36"	36-FMPA
12"	12-FMPA	42"	42-FMPA
14"	14-FMPA	48"	48-FMPA
16"	16-FMPA	54"	54-FMPA
18"	18-FMPA	60"	60-FMPA
20"	20-FMPA	66"	66-FMPA
22"	22-FMPA	72"	72-FMPA
24"	24-FMPA	84"	84-FMPA
28"	28-FMPA	96"	96-FMPA

Foundation Tools

Dirt Augers



Auger shown is
single cut, single
flight

Diameter	Part No.*	Diameter	Part No.*
9"	9-FDA	30"	30-FDA
10"	10-FDA	36"	36-FDA
12"	12-FDA	42"	42-FDA
14"	14-FDA	48"	48-FDA
16"	16-FDA	54"	54-FDA
18"	18-FDA	60"	60-FDA
20"	20-FDA	66"	66-FDA
22"	22-FDA	72"	72-FDA
24"	24-FDA	84"	84-FDA
28"	28-FDA	96"	96-FDA

*Please signify Auger Type when ordering.



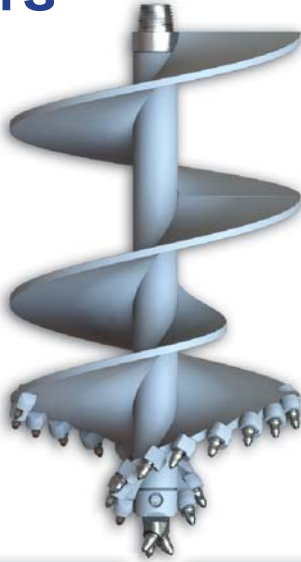
Continuous Flight Augers (CFA)



Diameter	Part No.
9"	9-FCFA
10"	10-FCFA
12"	12-FCFA
14"	14-FCFA
16"	16-FCFA
18"	18-FCFA
20"	20-FCFA
22"	22-FCFA
24"	24-FCFA
28"	28-FCFA
30"	30-FCFA

Foundation Tools

CFA Cutter Heads - Rock & Dirt Augers



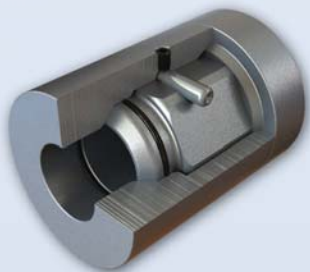
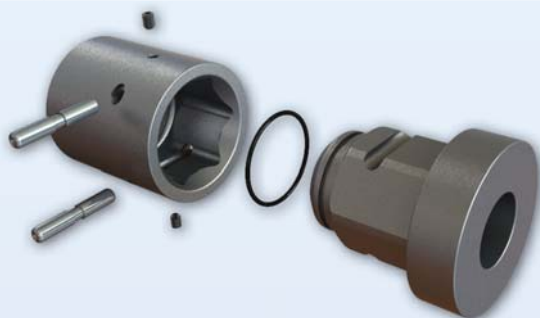
Rock Cutter	
Diameter	Part No.*
9"	9-FGRA
10"	10-FGRA
12"	12-FGRA
14"	14-FGRA
16"	16-FGRA
18"	18-FGRA
20"	20-FGRA
22"	22-FGRA
24"	24-FGRA
28"	28-FGRA
30"	30-FGRA

Dirt Cutter	
Diameter	Part No. *
9"	9-FGDA
10"	10-FGDA
12"	12-FGDA
14"	14-FGDA
16"	16-FGDA
18"	18-FGDA
20"	20-FGDA
22"	22-FGDA
24"	24-FGDA
28"	28-FGDA
30"	30-FGDA

*Please signify Auger Type when ordering.



CFA Hex Couplers



Part No.	Description
27500	80MM HEX COUPLER SET
27570	120MM HEX COUPLER SET
27790	150MM HEX COUPLER SET
27640	160MM HEX COUPLER SET
27710	200MM HEX COUPLER SET

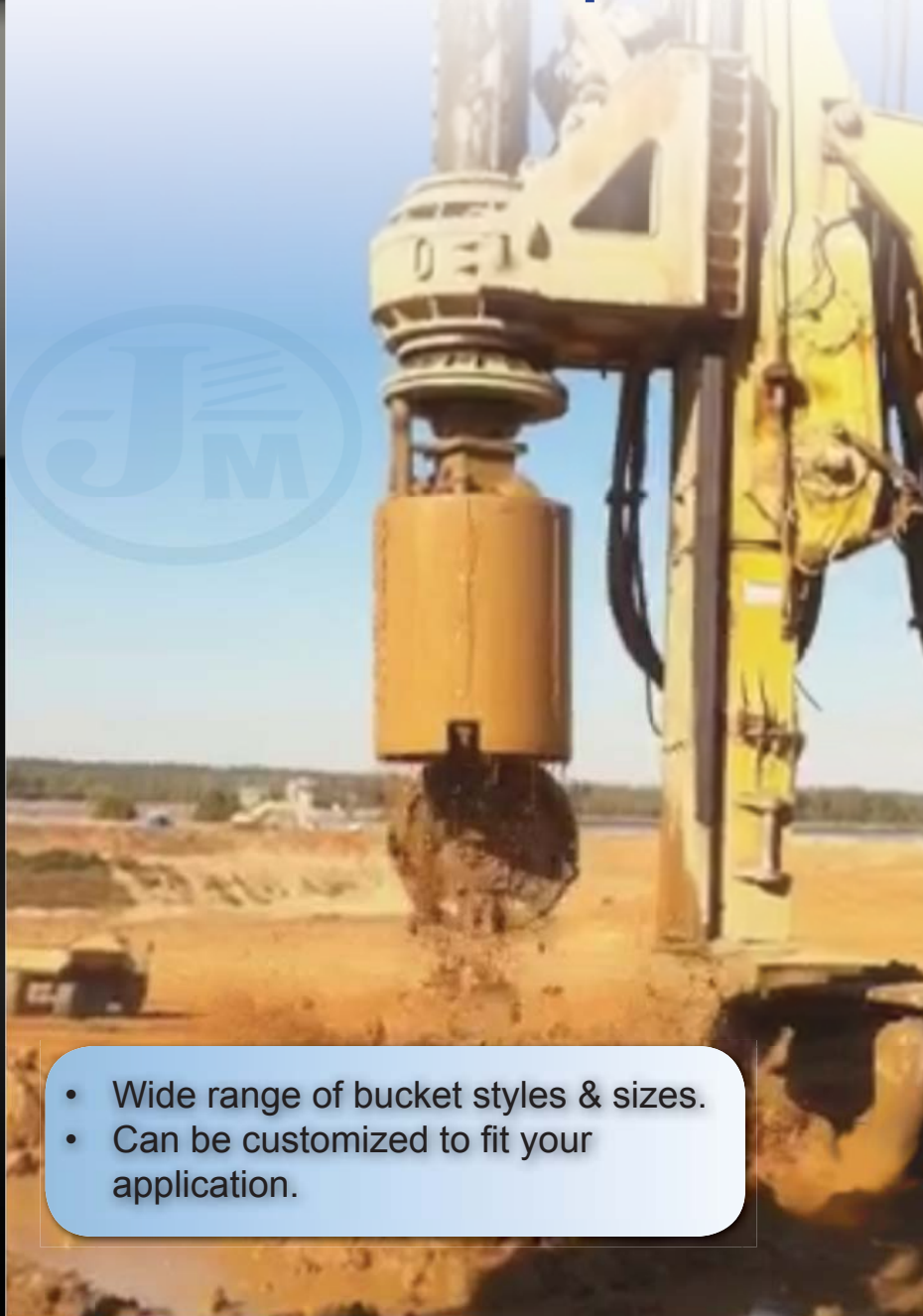
Threaded Couplers For CFA



Couplers are available in various sizes and thread designs.



Dump Buckets



- Wide range of bucket styles & sizes.
- Can be customized to fit your application.

Foundation Tools

Buckets



Single Or Double
Opening



Clean-Out Bottom

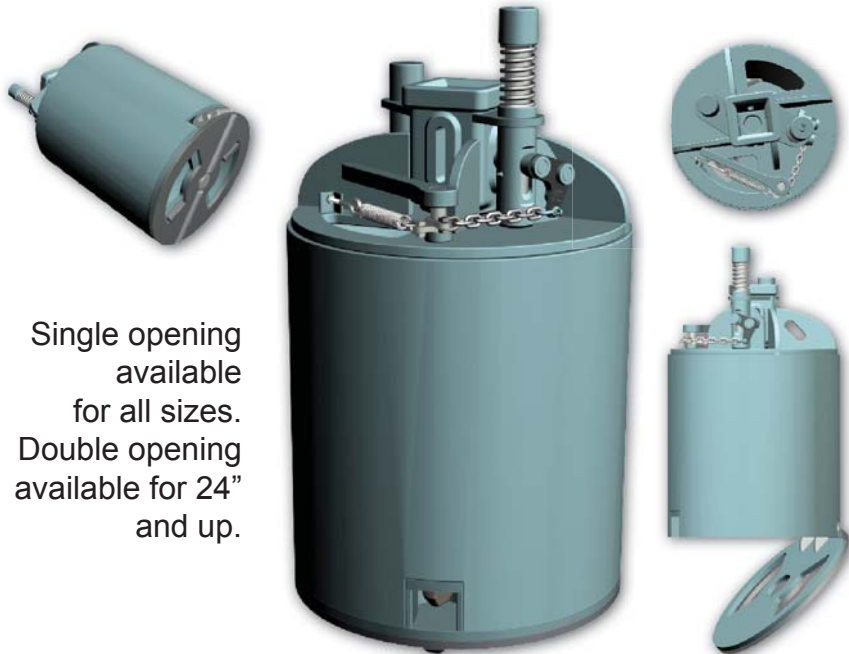


Dirt Cutter Bottom



Rock Cutter Bottom

Buckets - Clean Out Bucket



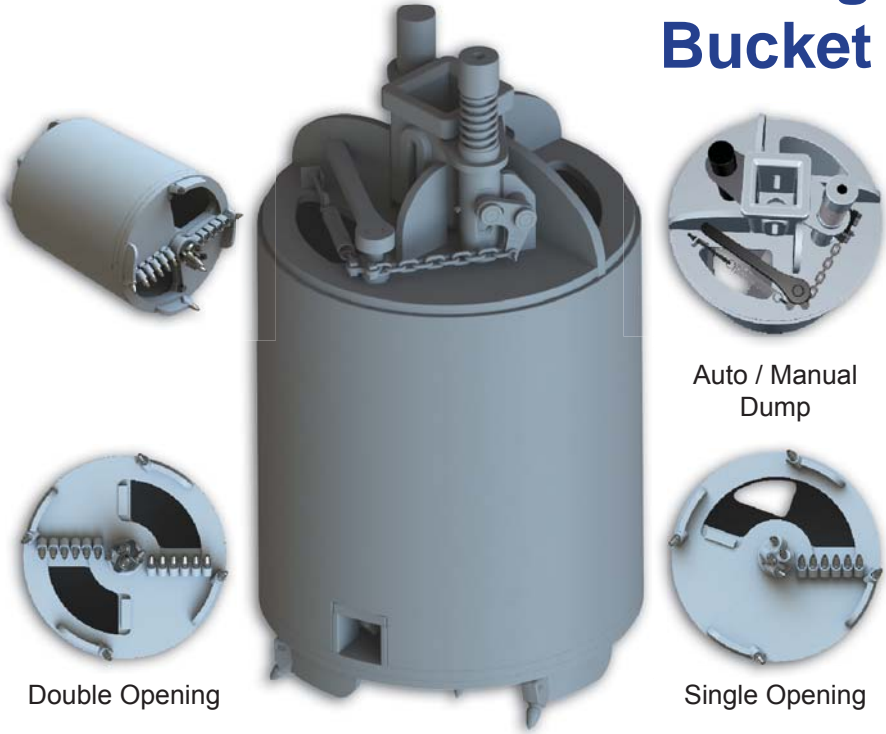
Single opening
available
for all sizes.
Double opening
available for 24"
and up.

Diameter	Part No.	Diameter	Part No.
20"*	20-FCOB	54"	54-FCOB
22"*	22-FCOB	60"	60-FCOB
24"	24-FCOB	66"	66-FCOB
28"	28-FCOB	72"	72-FCOB
30"	30-FCOB	84"	84-FCOB
36"	36-FCOB	96"	96-FCOB
42"	42-FCOB	120"	120-FCOB
48"	48-FCOB		

*Not all drive boxes available on tools this size. Please contact us to find out if a particular drive box will fit in this application.

Foundation Tools

Buckets - Rock Drilling Bucket



Auto / Manual Dump

Double Opening

Single Opening

Diameter	Part No.	Diameter	Part No.
20"*	20-FRDB	54"	54-FRDB
22"*	22-FRDB	60"	60-FRDB
24"	24-FRDB	66"	66-FRDB
28"	28-FRDB	72"	72-FRDB
30"	30-FRDB	84"	84-FRDB
36"	36-FRDB	96"	96-FRDB
42"	42-FRDB	120 "	120-FRDB
48"	48-FRDB		

*Not all drive boxes available on tools this size. Please contact us to find out if a particular drive box will fit in this application.

Buckets - Dirt Drilling Bucket



Bottom Open

Bottom Closed

Auto / Manual
Dump

Diameter	Part No.	Diameter	Part No.
20"*	20-FDDB	54"	54-FDDB
22"*	22-FDDB	60"	60-FDDB
24"	24-FDDB	66"	66-FDDB
28"	28-FDDB	72"	72-FDDB
30"	30-FDDB	84"	84-FDDB
36"	36-FDDB	96"	96-FDDB
42"	42-FDDB	120"	120-FDDB
48"	48-FDDB		

*Not all drive boxes available on tools this size. Please contact us to find out if a particular drive box will fit in this application.

Foundation Tools

Open Top, Spin Bottom Clean Out Bucket



Top View



Single Opening



Diameter	Part No.	Diameter	Part No.
20"*	20-OTSB	54"	54-OTSB
22"*	22-OTSB	60"	60-OTSB
24"	24-OTSB	66"	66-OTSB
28"	28-OTSB	72"	72-OTSB
30"	30-OTSB	84"	84-OTSB
36"	36-OTSB	96"	96-OTSB
42"	42-OTSB	120"	120-OTSB
48"	48-OTSB		

*Not all drive boxes available on tools this size. Please contact us to find out if a particular drive box will fit in this application.

Core Barrels

Top View



Bottom View



Diameter	Part No.	Diameter	Part No.
12"*	12-FCB	42"	42-FCB
14"*	14-FCB	48"	48-FCB
16"*	16-FCB	54"	54-FCB
18"*	18-FCB	60"	60-FCB
20"*	20-FCB	66"	66-FCB
22"*	22-FCB	72"	72-FCB
24"	24-FCB	84"	84-FCB
28"	28-FCB	96"	96-FCB
30"	30-FCB	120"	120-FCB
36"	36-FCB		

*Not all drive boxes available on tools this size. Please contact us to find out if a particular drive box will fit in this application.

Foundation Tools

Belling Tools



Spin Bottom



Belling Tool Diameter Closed	Part No.	Belling Diameter at 45° Opening
24"*	24-FBT	72"
30"	30-FBT	90"
36"	36-FBT	108"
42"	42-FBT	126"
48"	48-FBT	144"
54"	54-FBT	162"
60"	60-FBT	180"

*Belling tools/Retrieval buckets under 24" are also available. Please contact us for more information.

Retrieval Buckets



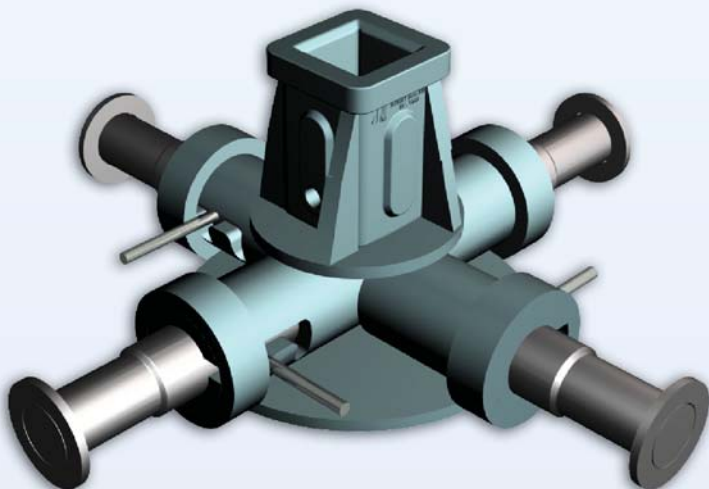
Also available with
cutting teeth

Diameter	Part No.	Diameter	Part No.
24"	24-FRB	60"	60-FRB
28"	28-FRB	66"	66-FRB
30"	30-FRB	72"	72-FRB
36"	36-FRB	84"	84-FRB
42"	42-FRB	96"	96-FRB
48"	48-FRB	120"	120-FRB
54"	54-FRB		

*Belling tools/Retrieval buckets under 24" are also available. Please contact us for more information.

Foundation Tools

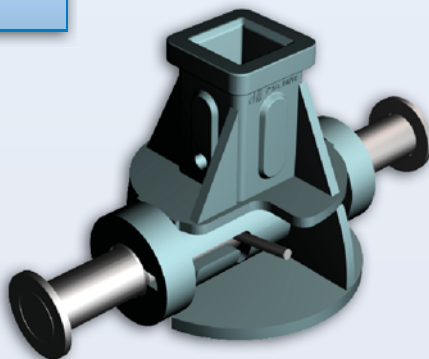
Casing Twisters



4 Way 28" - 42"

4 Way 46" - 80"

4 Way 80" - 104"



2 Way 28" - 42"

2 Way 46" - 80"

2 Way 80" - 104"



Boulder Extractor



Diameter	Part No.	Diameter	Part No.
20"	20-FBE	54"	54-FBE
22"	22-FBE	60"	60-FBE
24"	24-FBE	66"	66-FBE
28"	28-FBE	72"	72-FBE
30"	30-FBE	84"	84-FBE
36"	36-FBE	96"	96-FBE
42"	42-FBE	120"	120-FBE
48"	48-FBE		

Foundation Tools

Pilot Bits



**.990
Pilot**



Part No.	Description
40210	2 1/2" SQ. .990 PILOT
40500	2 7/8" IF .990 PILOT
40410	2 3/8" Reg API .990 PILOT
40460	3 1/2" Reg API .990 PILOT
40520	3 1/2" IF .990 PILOT

Part No.	Description
40470	2 1/2" SQ. BP-08 PILOT



**BP-08
Pilot**



**Quad-
Pilot**

Part No.	Description
40310	Q-25-08 2 1/2" SQ 8" PILOT

Part No.	Description
40220	2 1/2" SQ. DB-6 PILOT



**DB-6
Pilot**



Part No.	Description
42040	2 1/2" Square Pilot Adapter

Pilot Bits

Quad-Pilot



Part No.	Description
40320	Q-40-9 4" SQ 9" PILOT
40330	Q-40-12 4" SQ 12" PILOT

RP-4 Pilot



Part No.	Description
40280	RP-4 PILOT w/ JM3880-L & Bolt



Part No.	Description
42080	177MM Square Pilot Adapter

Foundation Tools

Kelly Boxes



We can fabricate
any size Kelly
Box.

Sizes	Part No.	Sizes	Part No.
2½"	250-KB	152 MM	152M-KB
3"	300-KB	6"	600-KB
3½"	350-KB	7"	700-KB
4"	400-KB	7⅞"	712-KB
4¼"	425-KB	177MM	177M-KB
4½"	450-KB	7½"	750-KB
130 MM	130M-KB	200 MM	200M-KB
5¼"	525-KB		

Kelly Adaptors



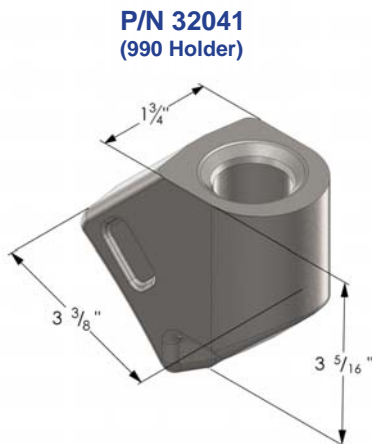
We can
fabricate
any size
or type
Adapter.

Foundation Tools

Teeth & Holders



P/N 30121
(990HB)



P/N 32041
(990 Holder)



P/N 30151
(B40)

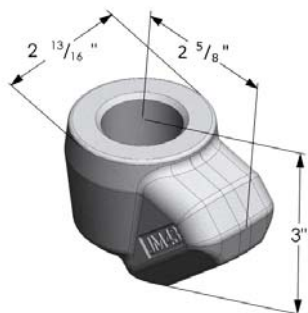


P/N 32045
(990 Machined Holder)

Teeth & Holders



P/N 30181
(JM3880)



P/N 32051
(JM43 Holder)



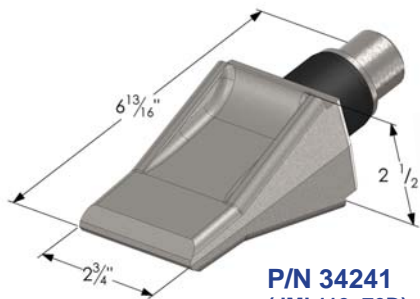
P/N 32070
(JM85 Holder)



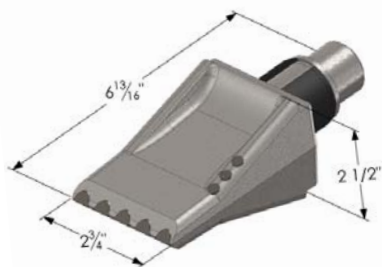
P/N 32090
(JM85 HFTC Holder)
Same Dimensions as
JM85 Holder

Foundation Tools

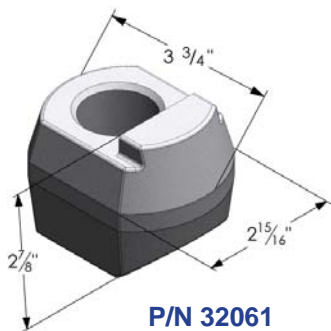
Teeth & Holders



P/N 34241
(JMI 113x70D)



P/N 34172
(BFZ 100x70/2)

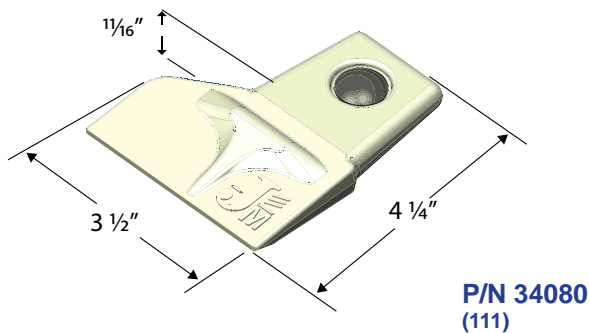
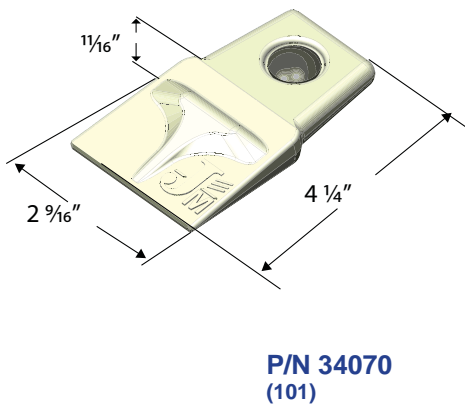
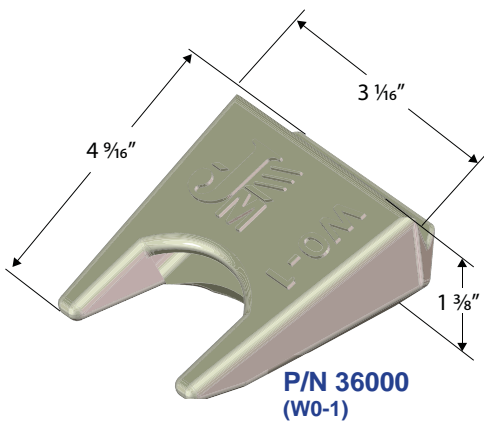


P/N 32061
(JM48 Holder)



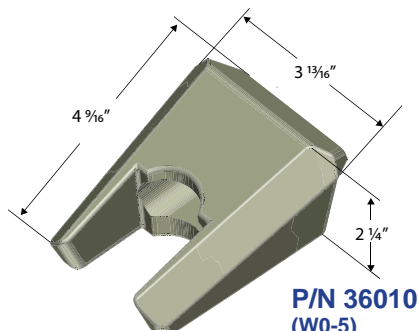
P/N 30171
(JM3870)

Teeth & Holders

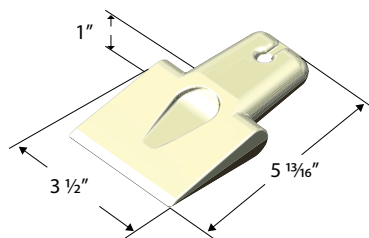


Foundation Tools

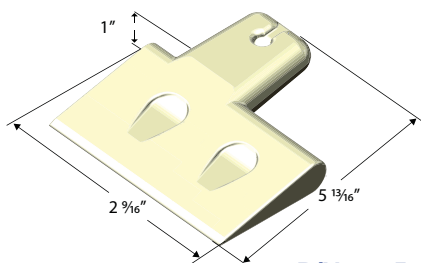
Teeth & Holders



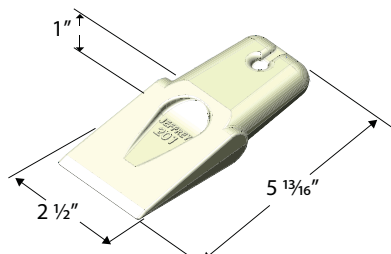
P/N 36010
(W0-5)



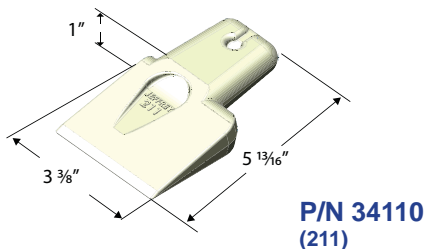
P/N 34251
(132)



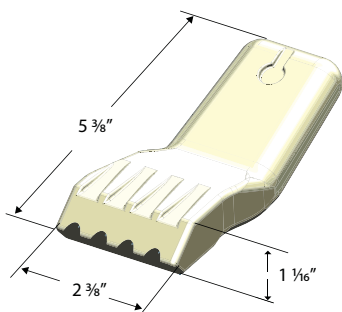
P/N 34256
(134)



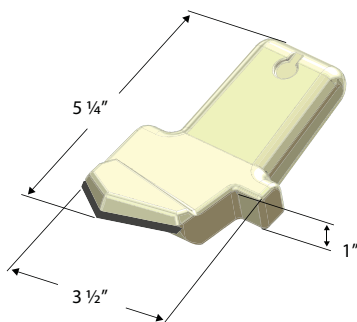
P/N 34100
(201)



P/N 34110
(211)



P/N 34131
(299)



P/N 34271
(TC-212)

Derrick Augers & Accessories

- Medium Duty Bolt On Auger System - 36
- Medium Duty Bolt On Dirt - 37
- Medium Duty Bolt On Carbide - 38
- Medium Duty Bolt On Bullet - 39
- Medium Duty Bolt-On Dragon Tooth® Auger - 40
- Medium Duty Bullet Tooth Auger - 41
- Medium Duty Step Rock Auger - 42
- Shank Plates - 43, 44
- Medium Duty Auger Pin On Head System - 45
- Pin On Cutter Heads - 46, 47
- Kelly Bars - 48
- Hex Couplers, Hubs & Adapters - 49
- Teeth & Holders - 50, 51
- Pilot Bits & Adapters - 52, 53



4 Basic Set-Ups

Mix and match shanks, bits and/or pilots for *countless possibilities*

Medium Duty Dirt

Loose and compacted soils, stiff clays and soft shales.



Medium Duty Carbide

High abrasion, frozen soil, low impact.



Medium Duty Bolt-On Bullet

Limestone, lava rock, medium sand stone and frozen materials. Medium to hard formations.



Medium Duty Bolt-On Dragon

Aggressively cuts through limestone, coral, lava rock, medium sand stone and frozen materials. Medium to hard formations.



Medium Duty Bolt-On Dirt Auger

Utility Dirt Auger with FH-205 Dirt Pilot

- 2", 2½" and 2⁵/₈" hex hubs.
- Overall length of 104" with 40" to 60" of ³/₈" thick flighting.

***loose and compacted
soils, stiff clays and soft
shales***

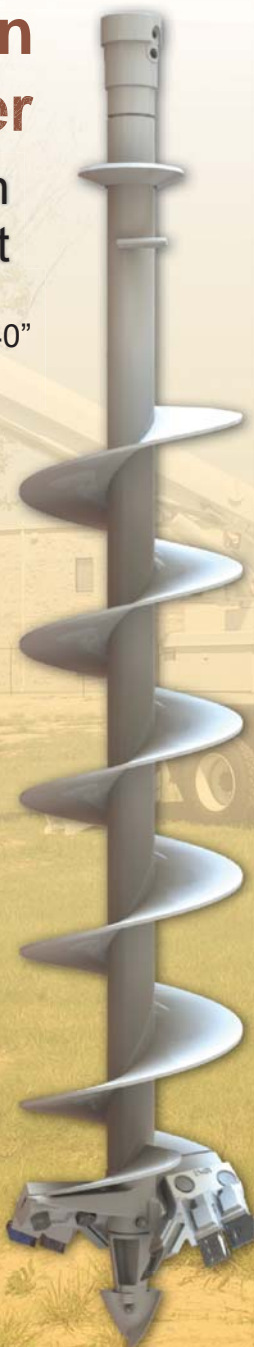
1652 Gauge
Dirt Tooth



FH-205 Dirt
Pilot



1650 Dirt
Tooth



Diameter	Part No.
9"	9-104-60DA
10"	10-104-60DA
12"	12-104-60DA
14"	14-104-60DA
16"	16-104-60DA
18"	18-104-60DA
20"	20-104-60DA
22"	22-104-60DA
24"	24-104-60DA
30"	30-104-40DA
36"	36-104-40DA
42"	42-104-40DA
48"	48-104-40DA

Medium Duty Bolt-On Carbide Auger

Utility Carbide Auger with FH-205HFTC Carbide Pilot

- 2", 2 1/2" and 2 5/8" hex hubs.
- Overall length of 104" with 40" to 60" of 3/8" thick flighting.

high abrasion, frozen soil, low impact

1656 Carbide Tooth



1658 Gauge Carbide Tooth



FH-205 HFTC Carbide Pilot

Diameter	Part No.
9"	9-104-60CA
10"	10-104-60CA
12"	12-104-60CA
14"	14-104-60CA
16"	16-104-60CA
18"	18-104-60CA
20"	20-104-60CA
22"	22-104-60CA
24"	24-104-60CA
30"	30-104-40CA
36"	36-104-40CA
42"	42-104-40CA
48"	48-104-40CA

Medium Duty Bolt-On Bullet

Utility Bolt-On Bullet Auger with RCP-6.5 Rock Pilot

- 2", 2½" and 2⅝" hex hubs.
- Overall length of 104", with 40" to 60" of ⅜" thick flighting.
- RCP-6.5 Rock Pilot

***limestone, lava rock,
medium sand stone
and frozen materials,
medium to hard
formations***

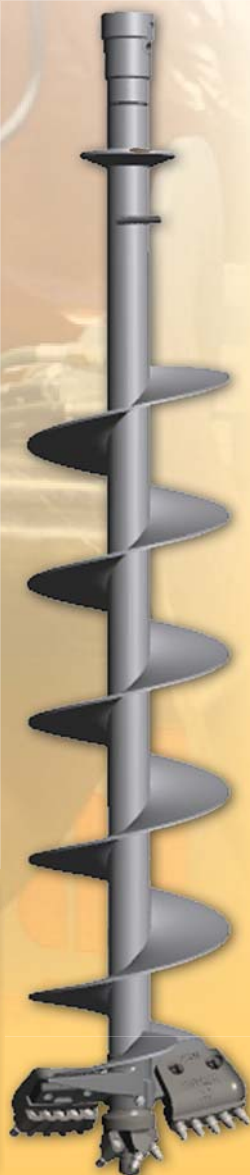


RCP-6.5
Pilot

.875 Bullet
Tooth



Bolt On Bullet
Shank Plate



Diameter	Part No.
16"	16-104-60BOB
18"	18-104-60BOB
20"	20-104-60BOB
24"	24-104-60BOB

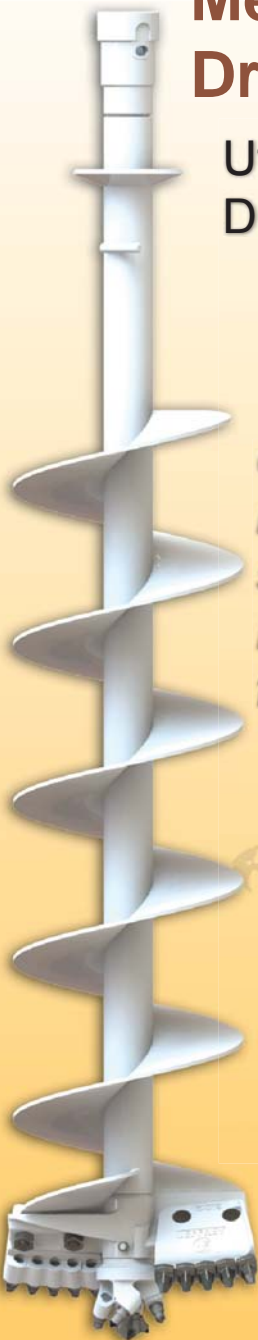
Derrick Augers & Parts

Medium Duty Bolt-On Dragon Tooth® Auger

Utility Bolt-On Dragon* with DCP-6.5 Rock Pilot

- 2", 2 1/2" and 2 5/8" hex hubs.
- Overall length of 104" and 40" to 60" of 3/8" thick flighting.

consumes limestone, lava rock, coral, medium sand stone and frozen materials, medium to hard formations



Dragon Shank Plate



DCP-6.5 Pilot



.875 Dragon Tooth

Diameter	Part No.
16"	16-104-60BOD
18"	18-104-60BOD
20"	20-104-60BOD
24"	24-104-60BOD

*The Dragon Tooth® is an original design of Jeffrey Machine, Inc.

Medium Duty Bullet Tooth Auger

Utility Bullet Tooth Auger with
1 3/4" Square Rock Pilot or API
Rock Pilot

- 2", 2 1/2" and 2 5/8" hex hubs.
- Overall length of 104" with 40" to 60" of flighting.
- 1" thick lower flight, 3/8" upper flight and standard pilot bit.

***solid rock, fracturable
rock and compacted soils***



2 3/8" API
Rock Pilot



1 3/4" Square
Pilot

.765 Bullet
Tooth



Diameter	Part No.
9"	9-104-60BA
10"	10-104-60BA
12"	12-104-60BA
14"	14-104-60BA
16"	16-104-60BA
18"	18-104-60BA
20"	20-104-60BA
22"	22-104-60BA
24"	24-104-60BA
30"	30-104-40BA
36"	36-104-40BA
42"	42-104-40BA
48"	48-104-40BA

Step Rock Augers

Utility Step Rock Auger with P-6000 Pilot

- 2", 2½" and 2⁵/₈" hex hubs.
- Best utilized in solid non-fracturable rock.
- Overall length of 104" with 40" to 60" of flighting.
- 1" thick lower flight, 3/8" upper flight.

limestone, lava rock, medium sand stone and frozen materials, medium to hard formations



P-6000



PFC-5

Diameter	Part No.
9"	9-SRA
10"	10-SRA
12"	12-SRA
14"	14-SRA
16"	16-SRA
18"	18-SRA
20"	20-SRA
22"	22-SRA
24"	24-SRA
28"	28-SRA
30"	30-SRA
36"	36-SRA

Parts - Shank Plates

For Flat Teeth



810X



12X



145X



16X1



16X2



18X1



18X2



20X1



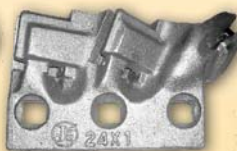
20X2



22X1



22X2



24X1



24X2



P/N 22000



P/N 22010

7/8" X 2 3/4" Long Plow
Bolts & Nuts

Part #	Description	Qty. Teeth	Part #	Description	Qty. Teeth
37000	810X Shank Plate	1	37140	24 X 2 Shank Plate	4
37020	12X Shank Plate	2	37150	267 X 1 Shank Plate	4
37040	145X Shank Plate	2	37160	267 X 2 Shank Plate	4
37050	16 X 1 Shank Plate	2	37170	30 X 1 Shank Plate	4
37060	16 X 2 Shank Plate	2	37180	30 X 2 Shank Plate	4
37070	18 X 1 Shank Plate	3	37190	36 X 1 Shank Plate	4
37080	18 X 2 Shank Plate	3	37200	36 X 2 Shank Plate	4
37090	20 X 1 Shank Plate	3	37210	42 X 1 Shank Plate	5
37100	20 X 2 Shank Plate	3	37220	42 X 2 Shank Plate	5
37110	22 X 1 Shank Plate	3	37230	48 X 1 Shank Plate	2
37120	22 X 2 Shank Plate	3	37240	48 X 2 Shank Plate	3
37130	24 X 1 Shank Plate	3			

Derrick Augers & Parts

Parts - Shank Plates

Shank Plates For Bullet Teeth & Dragon Teeth
Include The Teeth

Shank Plates for .875 Bullet Teeth



Part #	Description	Qty. Teeth
37250	C016 Shank Plate w/.875 Teeth	4
37260	C018 Shank Plate w/.875 Teeth	5
37270	C020 Shank Plate w/.875 Teeth	5
37280	C024 Shank Plate w/.875 Teeth	5

*Shank Plates for .875 Dragon Teeth



Part #	Description	Qty. Teeth
37350	D016 DRAGON Shank Plate	4
37360	D018 DRAGON Shank Plate	5
37370	D020 DRAGON Shank Plate	5
37380	D024 DRAGON Shank Plate	5

*Dragon Shanks Will Also Accept .875 Bullet Teeth

Pin On Flight Body

- Pin On Flight Body systems give crews the ability to switch cutter heads when dynamic drilling conditions exist.
- Pin On Flight Bodies have an overall length of 104" with 60" of $\frac{3}{8}$ " flighting.
- Available with 2", 2 $\frac{1}{2}$ " or 2 $\frac{5}{8}$ " hex hubs.

Part No.	Description
POH-08	8" Flight Body
POH-09	9" Flight Body
POH-10	10" Flight Body
POH-12	12" Flight Body
POH-14	14" Flight Body
POH-16	16" Flight Body
POH-18	18" Flight Body
POH-20	20" Flight Body
POH-22	22" Flight Body
POH-24	24" Flight Body
POH-26	26" Flight Body
POH-27	27" Flight Body
POH-30	30" Flight Body
POH-36	36" Flight Body



Derrick Augers & Parts

Pin On Cutter Heads

The **Pin On Utility Dirt Auger Heads** comes with standard dirt teeth. *Best used in compacted soils, soft shales & clay.*



Pin On Utility Dirt Auger Heads

Part No.	Description	Part No.	Description
PODH-08	8" Boring Head	PODH-20	20" Boring Head
PODH-09	9" Boring Head	PODH-22	22" Boring Head
PODH-10	10" Boring Head	PODH-24	24" Boring Head
PODH-12	12" Boring Head	PODH-26	26" Boring Head
PODH-14	14" Boring Head	PODH-27	27" Boring Head
PODH-16	16" Boring Head	PODH-30	30" Boring Head
PODH-18	18" Boring Head	PODH-36	36" Boring Head

Pin On Bolt On Bullet Tooth Heads

Part No.	Description
POBH-16	16" Bullet Head
POBH-18	18" Bullet Head
POBH-20	20" Bullet Head
POBH-24	24" Bullet Head

The **Pin On Bolt On Bullet Tooth Heads** are best utilized in *fracturable to solid rock formations.*



The **Pin On Step Rock Heads** are best utilized in *solid, non-fracturable rock.*



Pin On Step Rock Heads

Part No.	Description
POSR-09	9" Step Rock Head
POSR-10	10" Step Rock Head
POSR-12	12" Step Rock Head
POSR-18	18" Step Rock Head
POSR-20	20" Step Rock Head
POSR-24	24" Step Rock Head

Pin On Cutter Heads



Pin On Spiral Rock Heads
are best utilized in solid, non-fracturable rock.

Pin On Spiral Rock Heads

Part No.	Description	Part No.	Description
POSP-09	9" Spiral Rock Head	POSP-22	22" Spiral Rock Head
POSP-10	10" Spiral Rock Head	POSP-24	24" Spiral Rock Head
POSP-12	12" Spiral Rock Head	POSP-26	26" Spiral Rock Head
POSP-14	14" Spiral Rock Head	POSP-27	27" Spiral Rock Head
POSP-16	16" Spiral Rock Head	POSP-30	30" Spiral Rock Head
POSP-18	18" Spiral Rock Head	POSP-36	36" Spiral Rock Head
POSP-20	20" Spiral Rock Head		

Pin On Carbide Heads

High abrasion, frozen soil, low impact.

Pin On Carbide Tooth Heads

Part No.	Description
POCH-09	9" Carbide Head
POCH-12	12" Carbide Head
POCH-16	16" Carbide Head
POCH-18	18" Carbide Head
POCH-20	20" Carbide Head
POCH-24	24" Carbide Head
POCH-30	30" Carbide Head



Derrick Augers & Parts

Kelly Bars



Kelly Bar Hex Extension Shafts With Hub & Holes

Hex-Kelly Bar Extension With Hub & Holes			
Part No.	Hub Size	Bar Size	Bar Length
25025	2"	2"	72"
25075	2 ¹ / ₂ "	2 ¹ / ₂ "	72"
25130	2 ⁵ / ₈ "	2 ⁵ / ₈ "	72"
25140	3"	3"	72"



Kelly Bar Hex Extension Shafts With Holes

Hex-Kelly Bar Extension Shafts With Holes		
Part No.	Bar Length	Bar Size
25005	72"	2"
25055	72"	2 ¹ / ₂ "
25095	72"	2 ⁵ / ₈ "
25145	72"	3"

Hex Couplers, Hubs & Adapters



Hex Couplers

Part No.	Description
27000	2" Hex x 2" Hex Coupler
27010	2 1/2" Hex x 2" Hex Coupler
27020	2 5/8" Hex x 2 5/8" Hex Coupler
27030	2 5/8" Hex x 2" Hex Coupler
27040	2 5/8" Hex x 2 1/2" Hex Coupler
27050	2 1/2" Hex x 2 1/2" Hex Coupler



Hex Hubs

Part No.	Hub Size
43030	2"
43050	2 1/2"
43070	2 5/8"
43080	3"



Hex Adapters

Part No.	Description
28000	2 1/2" Hex Hub x 2" Hex Stem
28002	2 1/2" Hex Hub x 2 5/8" Hex Stem
28003	2" Hex Hub x 2 1/2" Hex Stem
28004	2 5/8" Hex Hub x 2 1/2" Hex Stem

Derrick Augers & Parts

Parts - Teeth



Ordinary Digging / Dirt Tooth

P/N 34000
(1650)

Ordinary Digging / Gauge Tooth



P/N 34010
(1652)



Impact, Hardfaced

- Abrasive soil
- Impact, hardfaced with carbide chips on 2 sides

P/N 34002
(1650 HFFTC)

Carbide Gauge - Dirt

- Highly abrasive soil



P/N 34040
(1658)



Round Tungsten Carbide

- Highly abrasive soil, frozen ground
- Low impact

P/N 34030
(1656)



39110	4ft length Rubber Lok
39150	Soft Steel Hammer

Parts - Teeth & Holders



P/N 34200
(PFC-5)

Carbide Faced Tooth

- Carbide faced tooth for the step rock auger
- Best used in solid, non-fracturable rock



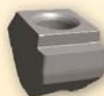
P/N 36020
(PFC-5H)



P/N 30110
(.875 Dragon Tooth)

Dragon Tooth® Non-Rotating Tooth

- Fits .875 Dragon holder
- Non-Rotating design
- Large long-life carbide
- Shank plates and pilots available



P/N 32007

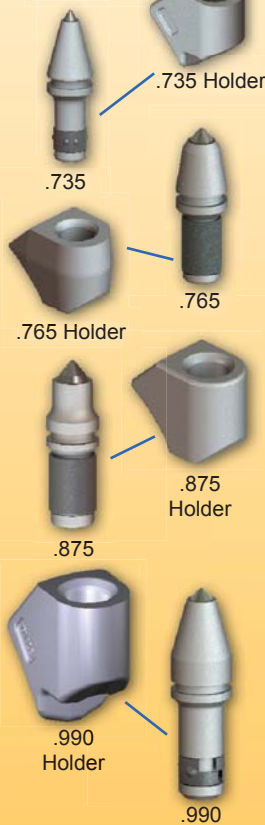
Bullet Replacement Teeth

P/N 30004 .735 Bullet Tooth
P/N 32014 .735 Holder

P/N 30044 .765 Bullet Tooth
P/N 32024 .765 Holder

P/N 30084 .875 Bullet Tooth
P/N 32034 .875 Holder

P/N 30134 .990 Bullet Tooth
P/N 32044 .990 Holder



Bullet Tooth Pullers

P/N 30552 .990 Bullet Tooth Puller
P/N 30542 123 Bullet Tooth Puller

Derrick Augers & Parts

Pilot Bits & Adapters

RCP 6.5 Bolt-On Auger Pilot



- 6½" Cut Diameter
- .875 Bullet Teeth and CP-18 Carbide Pilot Tip

P/N 40240

Ordinary Dirt Pilot

- Best utilized in ordinary dirt applications



P/N 40000
(FH205)

Consolidated Rock / Abrasive Soil Pilot



- This replaceable carbide tooth bit is best used in consolidated rock and abrasive soil where impact is minimal

P/N 40050
(P1656)

Consolidated Rock / Abrasive Soil Pilot

- Hard faced both sides
- Impact possible



P/N 40010
(FH205-HFTC)

5" Carbide Tipped Drill Head



- 5" diameter carbide tipped drill head is best used in concrete, stone, and frozen ground

P/N 40060
(5.0-TCH-171)

Pilot Bits & Adapters

Compacted Soil / Fracturable Rock Pilot

This replaceable tooth pilot bit is best used in compacted soil and fracturable rock.



P/N 40040
(P1650)



4^{3/4}" Carbide Pilot (2^{3/8}" API Thread)

Best used in solid, nonfracturable rock.

P/N 40080
(P6000)

1^{3/4}" Square Rock Pilot

Works well on fractured to non-fracturable rock. Also available with 2 3/8" API thread



P/N 40170



Pilot Adapter

This pilot bit adapter comes with a bolt and nut.

P/N 42010
(PA-183-L)

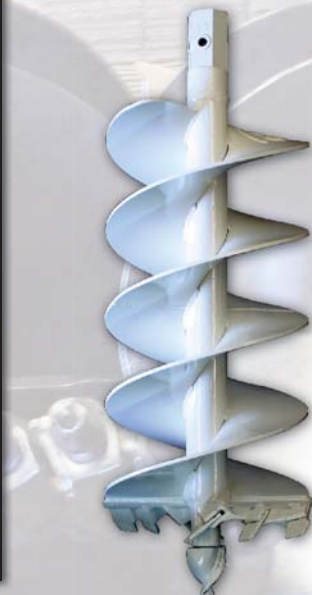
Light Duty Augers & Accessories

- Light Duty Dirt Auger - 55
- Light Duty Rock Auger - 55
- Light Duty Teeth & Accessories - 56



Light Duty Augers

Light Duty Dirt Auger		
Diameter	Qty. of Teeth	Part No.
6"	2	6-LDD
8"	4	8-LDD
9"	4	9-LDD
10"	4	10-LDD
12"	4	12-LDD
15"	6	15-LDD
16"	6	16-LDD
18"	6	18-LDD
20"	6	20-LDD
24"	8	24-LDD
30"	10	30-LDD
36"	12	36-LDD
42"	16	42-LDD
48"	18	48-LDD



Overall Length 42"

Light Duty Rock Auger	
Diameter	Part No.
6"	6-LDB
8"	8-LDB
9"	9-LDB
10"	10-LDB
12"	12-LDB
15"	15-LDB
16"	16-LDB
18"	18-LDB
20"	20-LDB
24"	24-LDB
30"	30-LDB
36"	36-LDB
42"	42-LDB
48"	48-LDB

Light Duty Augers & Parts

Light Duty Teeth & Accessories

New Item
45110 Carbide Gauge Tooth



45000



45040



45102



45030



45070



45080



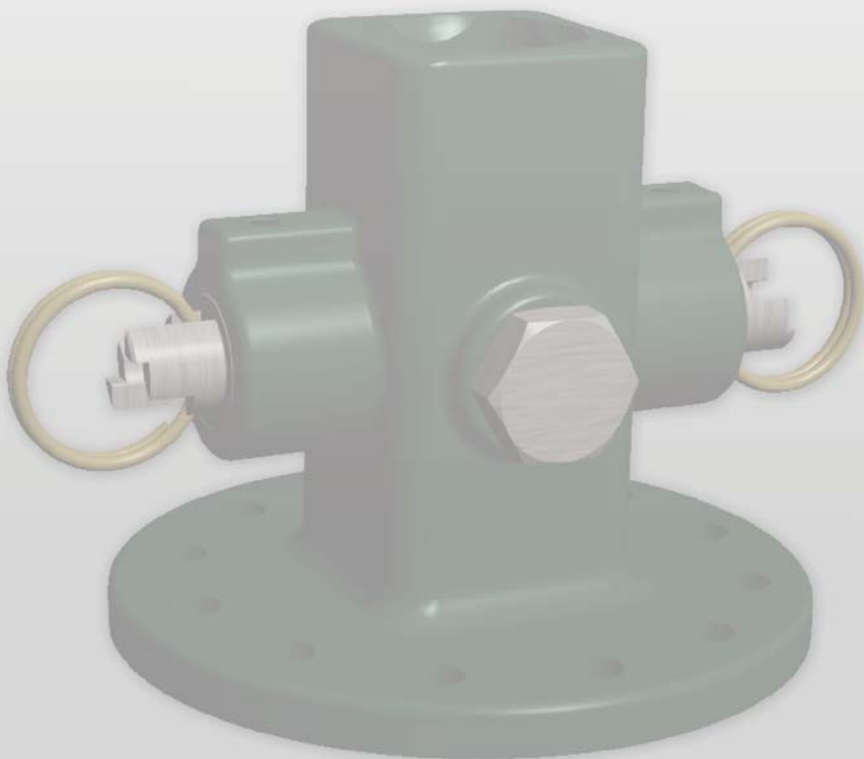
45020

Part No.	Reference No.	Description	Application
45000	1335	Dirt Tooth	Ordinary digging
45040	1337	Gauge Dirt Tooth	Ordinary digging
45102	BC58F	Dirt Tooth	Ordinary Digging
45070	5T30	Chisel Point	Loose rock, compacted soil
45080	5T30-C	Chisel Point w/Carbide	Compacted rock, abrasive soil - no impact
45020	1335-HFF	Carbide Hardfaced Tooth	Abrasive frozen soil
45030	1336	Carbide Insert Tooth	Abrasive frozen soil
45110	1338	Carbide Gauge Tooth	Abrasive frozen soil



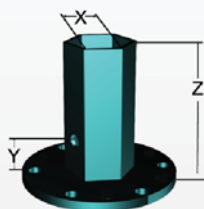
Anchor Placement Tools

- 6 Bolt Kelly Bar Adapters - 58
- 6 Bolt Locking Dog - 58
- 6 & 12 Hole Bolt Circles - 58
- SS Helical Pier Anchor - 58
- Drive End Wrenches & Extensions - 59
- 12 Bolt Kelly Bar Adapters - 60
- 12 Bolt Locking Dog - 60
- Large Hub Drive End Wrenches & Adapters - 60



Anchor Tools

Anchor Placement Tools & Accessories



Each of these Kelly Bar Adapters has six holes for 1/2" bolts on a 5 1/4" bolt circle and comes with six 1/2" grade 5 bolts, nuts & lock washers, bent arm pin with coil lock.

5 1/4" Bolt-Circle Kelly Bar Adapters for 10,000 ft.-lb.

Maximum Installing Torque.

Part No.	Kelly Bar Shape	Kelly Bar Dimension			Weight, lb.
		X	Y	Z	
20001	Square	2 1/2"	2 1/4"	3 1/2"	10
20350	Hex	2"	5"	6 1/8"	10
20040	Hex	2 1/2"	4 1/4"	8 1/8"	12
20050	Hex	2 5/8"	4 1/4"	8 1/8"	12



Standard Locking Dog Assembly has six 1/2" holes on 5 1/4" bolt circle and includes six 1/2" grade 5 bolts, nuts and lock washers.

Part No.	Description	Weight, ea.
20090	Complete Standard Locking Dog Assembly	20 lb.
20101	Locking Dog Replacement Kit includes parts necessary to replace both locking dogs	4 lb.

Part No.	SS Anchor Series Tool	Bolt Circle, Holes	Approx. Weight, lb.
20030	SST/SS150	5 1/4", (6) 1/2" holes	7
20131	SS175	7 5/8", (12) 5/8" holes	18
20391	SS200	7 5/8", (12) 5/8" holes	18
20401	SS225	7 5/8", (12) 5/8" holes	30



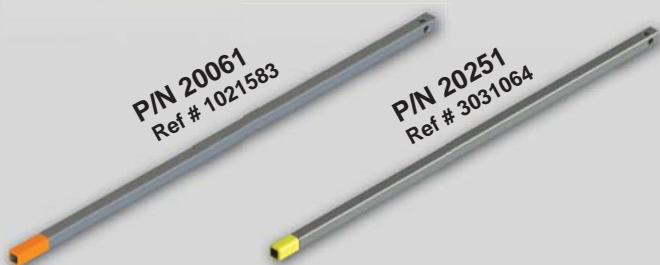
For SS Helical Pier Anchors

These drive tools require the appropriate Kelly Bar Adapter. Each comes with bolts, nuts and lock washers and a bent arm retaining pin with coil lock.

Anchor Placement Tools

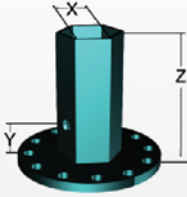
7ft. Drive-End Wrench		
Part No.	Description	Weight, ea.
20061 Orange	Standard Drive-End Wrench installs 8,000 ft.-lb (small hub) anchors, 10,000 ft.-lb. (small hub) anchors, 4,000 ft.-lb. anchors, 6,000 ft.-lb. anchors	57 lb.
20251 Yellow	Hybrid Drive-End Wrench installs 8,000 ft.-lb. (large hub) anchors, 6,000 ft.-lb. anchors, 7,000 ft.-lb. anchors	64 lb.
3 1/2 ft. Drive-End Wrench		
20071 Orange	Standard Drive-End Wrench installs 8,000 ft.-lb (small hub) anchors, 10,000 ft.-lb. (small hub) anchors, 4,000 ft.-lb anchors, 6000 ft.-lb. anchors	29 lb.
20241 Yellow	Hybrid Drive-End Wrench installs 8,000 ft.-lb. (large hub) anchors, 6,000 ft.-lb. anchors, 7,000 ft.-lb anchors	28 lb.

Extension Wrench for Standard and Hybrid Drive-End Wrenches		
Part No.	Description	Weight, ea.
20011	3 1/2 ft. Extension	42 lb.
20021	7 ft. Extension	70 lb.



Anchor Tools

Anchor Placement Tools & Accessories

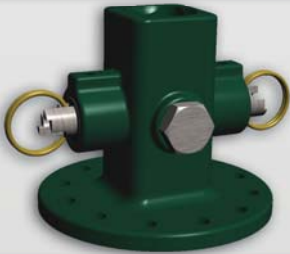


Each of these Kelly Bar Adapters has twelve holes for $\frac{5}{8}$ " bolts on a $7\frac{5}{8}$ " bolt circle and comes with twelve $\frac{5}{8}$ " grade 2 bolts, nuts & lock washers, bent arm pin with coil lock.

$7\frac{5}{8}$ " Bolt-Circle Kelly Bar Adapters for 15,000 ft.-lb.

Maximum Installing Torque.

Part No.	Kelly Bar Shape	Kelly Bar Dimension			Weight, lb.
		X	Y	Z	
20140	Hex	2 $\frac{1}{2}$ "	4 $\frac{3}{8}$ "	8 $\frac{1}{4}$ "	23
20150	Hex	2 $\frac{5}{8}$ "	4 $\frac{3}{8}$ "	8 $\frac{1}{4}$ "	23
20411	Hex	3"	3 $\frac{1}{2}$ "	8"	27
20161	Square	2 $\frac{1}{2}$ "	2 $\frac{1}{2}$ "	7"	22
20451	Square	3"	3 $\frac{1}{2}$ " & 2 $\frac{1}{16}$ "	7"	23



12 Bolt Locking Dog

Twelve $\frac{5}{8}$ " holes on a $7\frac{5}{8}$ " bolt circle. Includes twelve $\frac{5}{8}$ " bolts, nuts and lockwashers. Also includes bent arm pin with coil lock.

P/N 20171
(303-0981)

Drive End Wrenches

Part No.	Length	Description
20181	3 $\frac{1}{2}$ ft.	Installs 15,000 ft.-lb. (large hub) Drive String System Anchors, 8,000 ft.-lb (large hub) Drive String System and all 1 $\frac{1}{2}$ " Core Anchors
20191 Red	7 ft.	

Extension Assemblies

Part No.	Length	Description
20201	3 $\frac{1}{2}$ ft.	Attach extension to drive-end wrench for additional depth
20211	7 ft.	



P/N 20191
Ref # 3030983

Utility Vehicle Accessories

- Wire Reels / Storage - 62, 63, 64, 65
- Swivel Sheaves - 66
- Cable Steps - 67
- Light Bar, Cone Holders, Bucket Rests - 68



Wire Reels / Storage

CAGE SPIDER REEL

Approximately 110 lbs., 20" wide and 39" tall. Features double brakes. Reel can be taken out of cage to load or unload. The adjustable brake can be set for drag, stop or free wheel. Custom sizes or changes to current reel can be manufactured on request.

P/N 10255



GUY WIRE SPIDER REEL

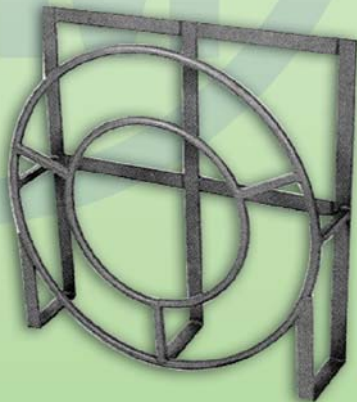
Rings are 32" outside diameter. Has four sliding arms that lock with "T" handle screws. Approximately 11" wide. Makes guy wire pulling easy to handle.

P/N 10260

GUY WIRE BASKET

Outside ring is 32" outside diameter. Approximately 11" wide. Used for storage and dispensing of guy wire. Pull wire through inside ring or straight out.

P/N 10265



Wire Reels / Storage



WIRE STORAGE RACK ("BICYCLE")

Weighs approximately 50 lbs. and 25" in length. Features four bins for storage of wire. Each bin is 4½" wide. "Bicycle" racks are used for storage of wire.

P/N 10330

WIRE BASKET
Available in 11" and 15" widths. Flip gates on both ends for loading and unloading wire. For storage and pulling of wire.

P/N 10275



HOOK RACK (FIXED & SWIVEL)

The hook rack comes with welded or swivel hooks. The hook rack is ideal for hanging wire, rope or lineman's equipment. Any number of hooks and any length can be fabricated.

P/N 10190



Wire Reels / Storage

“A” FRAME SPIDER REEL

Weighs approximately 90 lbs. Stands 22” wide and 39” tall. Reel will mount vertical or horizontal. JMI Spider Reels can be installed on service, utility, or trailer bodies to carry and uncoil wire with ease and no twist. The axle and screw for tightening wire is 1½” diameter and rotates on bronze bushings.

P/N 10280

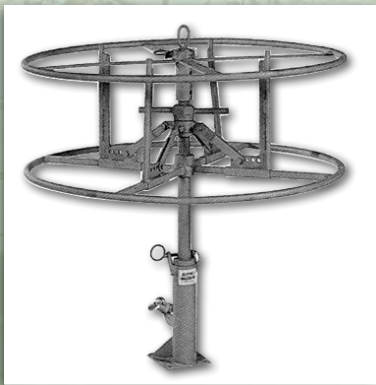


STAND UP SPIDER REEL

Weighs approximately 85lbs. and has 36” rings. Has approximately 22” height clearance. Reel and axle are removable from base by pulling one pin. Lifting lug on top of reel makes the reel easy to remove.

This reel works very well on trailers.

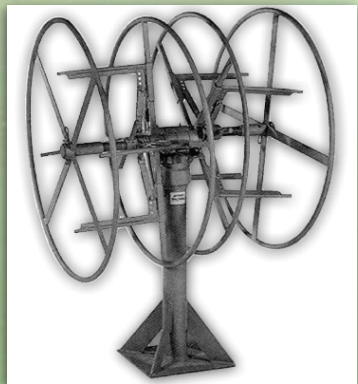
P/N 10285



DOUBLE SPIDER REEL

Approximately 160 lbs. and 36” tall. Features independent axles and brakes. Reel can be made to pivot and lock. Useful when pulling large amounts of wire. I.D. is adjustable from 14” - 24”, and width is 8”-12”. The reel is 36” in diameter and the outside half is easily removed and retained with clevis pin and hair pin cotter.

P/N 10295



Wire Reels / Storage



COLLAPSIBLE REEL

The Collapsible Reel is designed to pick up wire in neat coils. The reel attaches to the winch shaft by means of bayonet type socket. The unit is put on the winch shaft, applying force toward the center of the truck to compress the spring and turn the unit to lock. The design of the unit is such that after the wire is coiled up on it, the quick acting handle is used to collapse the outer rim of the pick-up reel allowing the wire coil to be removed. Maximum pulling force is 4,000 lbs. with a capacity of 1,600 feet of 1/4" wire rope or cable up to 200 lbs".

P/N 10305

DUPLEX- TRIPLEX WIRE BASKET

Has chain locks on one end for loading and unloading wire. One side is 12" wide while the other side is 8" wide. 6 1/2" of space underneath for storage. Stands approximately 48" tall and 23" wide. Used for storage and pulling of wire.

P/N 10300



Swivel Sheaves

16,000 LB SWIVEL SHEAVE

Pulls wire in almost any direction. Standard swivel sheave can accommodate up to $\frac{1}{2}$ " diameter wire. Made from $\frac{1}{4}$ " plate. The sheave has lubricating bushings with grease fittings. Pull tested at 16,000 lbs. Great for pulling wire in tight places. Any size sheave can be fabricated.

P/N 10045



30,000 LB SWIVEL SHEAVE

Pulls wire in almost any direction. Standard swivel sheave can accommodate up to $\frac{5}{8}$ " diameter wire. Made from $\frac{1}{2}$ " plate. The sheave has lubricating bushings with grease fittings. Pull tested at 30,000 lbs. Great for pulling wire in tight places. Any size sheave can be fabricated.

P/N 10050

Cable Steps

$\frac{3}{4}$ " Diameter Cable Step / Small Step

Weld to front or rear bumper. Standard step consists of 9" of cable and a 12" wide by 4" deep Grip Strut step. Can be manufactured in any size, length and / or width.

P/N 10055



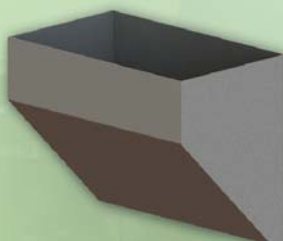
1 $\frac{1}{4}$ " Diameter Cable Step / Large Step

Weld to front or rear bumper. Standard step consists of 12" of cable, and a 12" wide by 7" deep Grip Strut step. Can be manufactured in any size, length and / or width.

P/N 10060

Left, Right & Top Load Chock Block Holder

Welds above fender well and trailer for storage of chock blocks.



Left Side P/N 10170

Right Side P/N 10175

Top P/N 10165

Utility Vehicle Accessories

Light Bar, Cone Holders, Bucket Rests



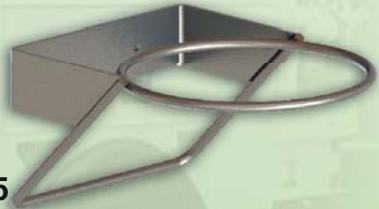
Utility Pole Safety Light

Telescopic Light Bar. Mounts on trailer for marking poles.
P/N 10000

Cone Holder

- A Frame Style - **P/N 10380**
- Basketball Style - **P/N 10385**
- Pole w/Base Style - **PN 10390**

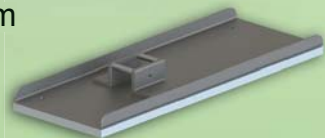
For transportation & storage of safety cones. Mounts on bumper or trailer.



Bucket Rests

Mounts underneath bucket as a support. Keeps pressure off boom and cables.

P/N 10440

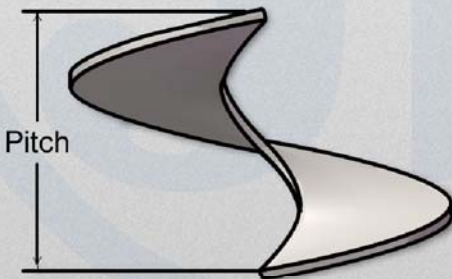
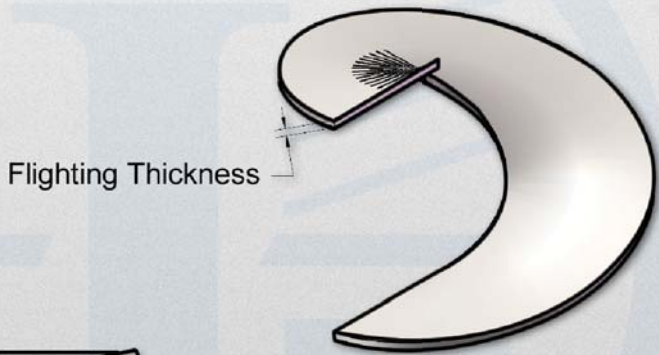
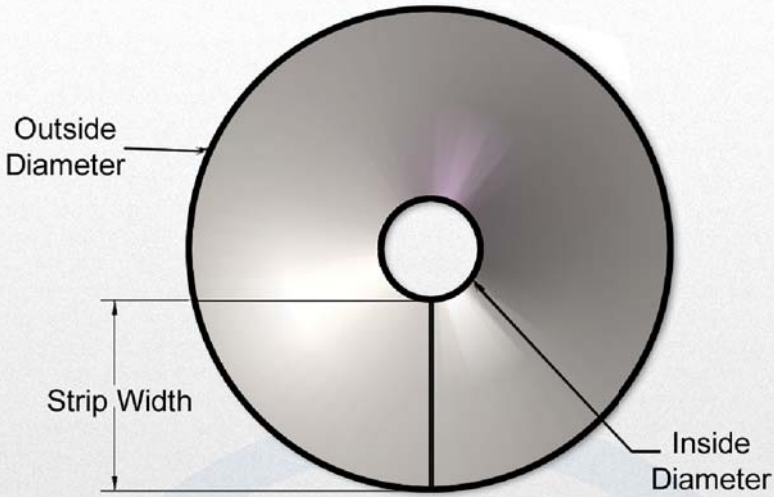


Flighting

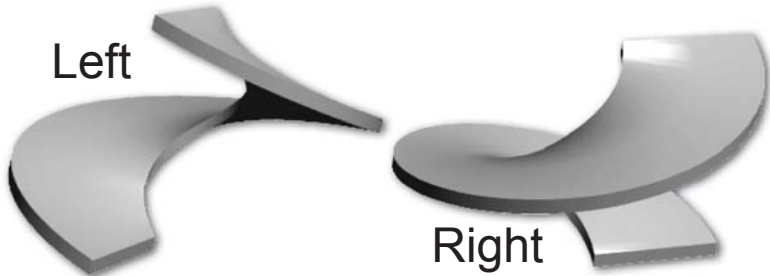
- Flighting Dimensions - 70
- Left & Right Flighting - 71



Flighting



Flighting



Part #	Description OD x Pitch x ID x Thickness	Part #	Description OD x Pitch x ID x Thickness
61025	7.5" X 7" X 3.75" X 3/8"	64050	8.5" X 12" X 4" X 1"
61050	11.5" X 9" X 3.75" X 3/8"	64075	9.5" X 12" X 4" X 1"
61075	13.5" X 9" X 3.75" X 3/8"	64100	11.5" X 12" X 4" X 1"
61100	15.5" X 12" X 3.75" X 3/8"	64125	13" X 14" X 4" X 1"
61125	17.5" X 9" X 3.75" X 3/8"	64150	15" X 16" X 4" X 1"
61150	17.5" X 12" X 3.75" X 3/8"	64175	17" X 20" X 4" X 1"
61175	19.5" X 12" X 3.75" X 3/8"	64200	19" X 20" X 4" X 1"
61200	21.5" X 12" X 3.75" X 3/8"	64225	21" X 24" X 4" X 1"
61225	23.5" X 12" X 3.75" X 3/8"	64250	23" X 24" X 4" X 1"
61250	25.5" X 18" X 3.75" X 3/8"	64275	25" X 24" X 4" X 1"
61275	26.5" X 18" X 3.75" X 3/8"	64300	26" X 24" X 4" X 1"
61300	27.5" X 18" X 3.75" X 3/8"	64325	27" X 24" X 4" X 1"
61325	29.5" X 18" X 3.75" X 3/8"	64350	29" X 24" X 4" X 1"
61350	31.5" X 18" X 3.75" X 3/8"	64375	35" X 24" X 4" X 1"
61375	35.5" X 18" X 3.75" X 3/8"	64400	41" X 24" X 4" X 1"
61400	41.5" X 18" X 3.75" X 3/8"	64425	47" X 24" X 4" X 1"
61425	47.5" X 18" X 3.75" X 3/8"	64450	59" X 28" X 6" X 1"
62005	17.5" X 12" X 3.75" X 1/2"	65755	17.5" X 20" X 4" X 1 1/2"
62010	19.5" X 12" X 3.75" X 1/2"	65760	19.5" X 24" X 4" X 1 1/2"
62015	23.5" X 12" X 3.75" X 1/2"	65765	23.5" X 24" X 4" X 1 1/2"
64025	7.5" X 12" X 4" X 1"		



Jeffrey Machine, Inc.

3841 Industrial Drive
Birmingham, AL 35217

www.jeffreymachine.com

Ph (205) 841-8600
Fax (205) 841-2009

***“Built by need.
In business to serve you.”***

©Copyright 2011 Jeffrey Machine, Inc.

