



Hook International, Inc.

**Manufacturers of
Lifting & Pulling Equipment**

**Engineered
Industrial
Grade Hoists**



**Cable Hoists
Lineman's Strap Hoists
Ratchet lever Hoists
Hand Chain Hoists
Manual Trolleys
Beam Clamps
Brake Winches
Electric Hoists**



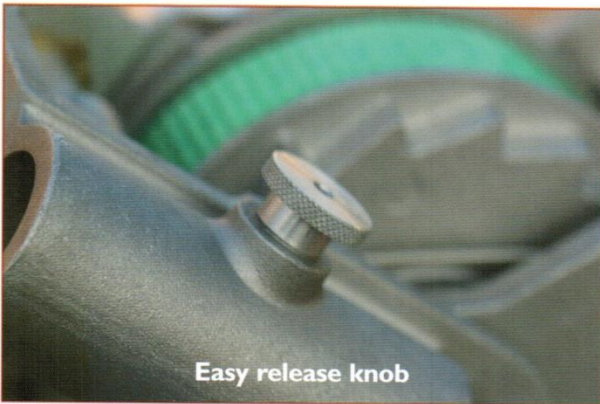


Lineman's Strap Hoist

Capacity : 2000-4000 lbs.

Safety Features

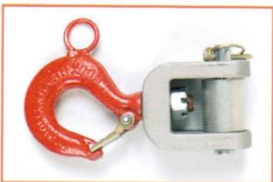
- Safety Handle Adapter designed to fracture when overloaded.
- Superior 360 degree drop forged swiveling hooks are equipped with safety latches.
- Meets ASME/ANSI Standards B-30.21
- Double interlocking precision die cast zinc alloy pawl system assures the engagement of one pawl at all times.
- Hot Stick-type Operated Safety latches available on EHHS Models.



1



2



3



4



Every Hook Strap Hoist is made in the U.S.A.



Hook Lineman's Strap Hoist

1000-4000 lbs.

Hook Lineman's Strap Hoists are designed for hot line work by utilities and pole line contractors. These durable light weight hoists are engineered for safe and easy operation.

Safety Features

- Reversible fiberglass handle provides increased operator safety when using proper hot line handling techniques.
- Meets ANSI Standard B-30.21.
- Heavy duty 360 degree drop forged swiveling hooks are equipped with safety latches.

Quality and Durability

- Stainless steel springs and load bearing shafts resist corrosion.
- All rotating shafts are mounted on bronze bushings to reduce wear.
- Rugged cast aluminium alloy housings are both lightweight and dependable.

Easy to Operate

- Aluminum winding wheel for slack take up is standard on all models.
- Open construction allows for easy cleaning and inspection.
- Double interlocking pawl system assures precise load control.
- Designed for two-way, two-capacity rigging.

Special Options

- Hotstick operated safety latches available on EHHS models.
- Hotstick models include rings on handles, hooks and control levers; quick disconnect ring for release of sheave block also included.



Single Line			Double Line		
Model Number	Capacity Lbs.	Lift Ft.	Capacity Lbs.	Lift Ft.	Net Weight Lbs.
E153-10	1500	10	3000	5.0	8.0
*EH153-10	1500	10	3000	5.0	8.4
**EHHS153-10	1500	10	3000	5.0	8.5
E24-15	2000	12	4000	7.5	9.0
*EH24-15	2000	12	4000	7.5	9.4
**EHHS24-15	2000	12	4000	7.5	9.5
E2.5-6			5000	6.0	10

*Includes Hot Stick Rings on All Hooks and Quick Disconnect Shaft.

**Includes Hot Stick-Type gate latch Hooks and Hot Stick Rings on All Hooks and Quick Disconnect Shaft.

Every Hook Strap Hoist is made in the U.S.A.



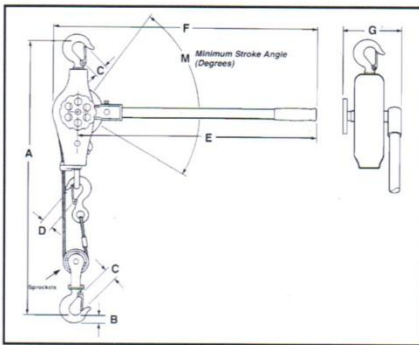
Industrial Cable Hoist

Capacity : 1500-5000 lbs.

Rugged cast aluminum enclosed housing protects the cable from harsh elements yet provides open front for visual inspection and easy maintenance of the hoist. These durable light weight hoists (12 lbs.) are engineered for safe and easy operation.

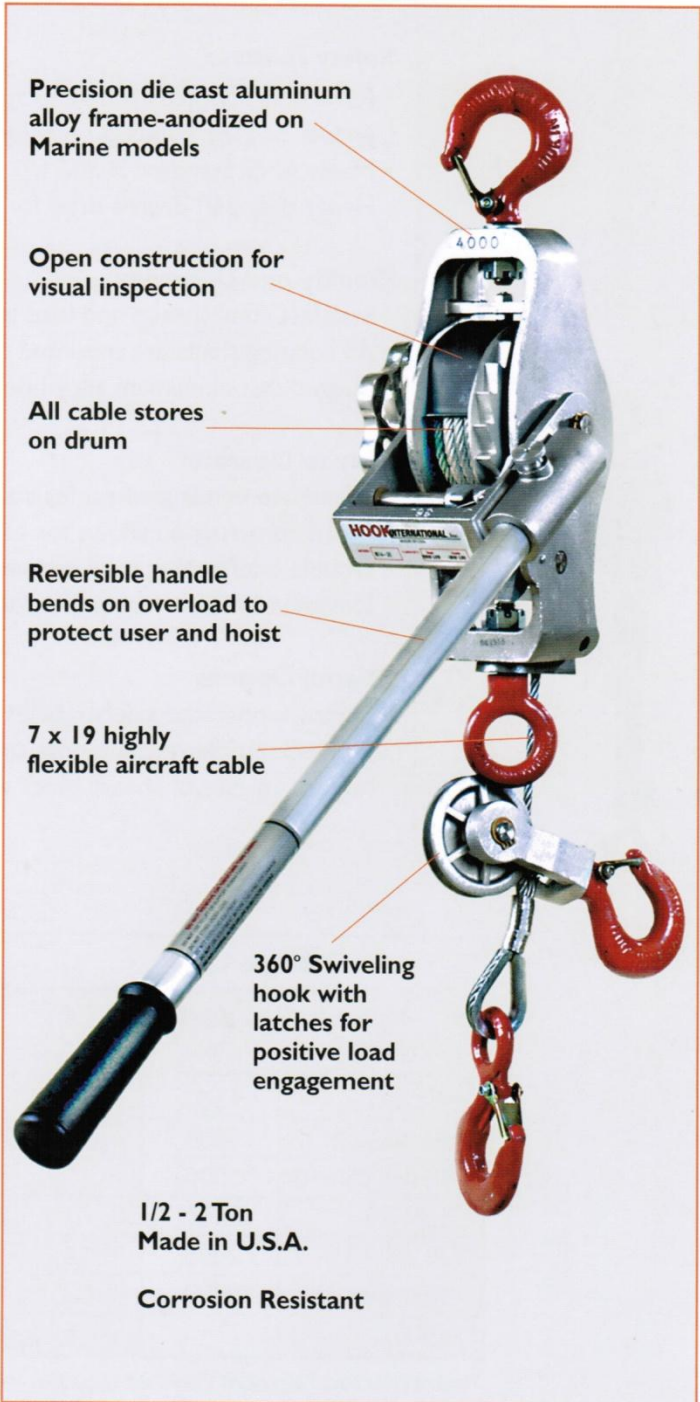
Safety Features

- Reversible aluminum handle is designed to bend for warning of hazardous overload.
- Superior 360 degree drop forged swiveling hooks are equipped with safety latches.
- Meets ASME /ANSI Standards B-30.21
- Double interlocking precision die cast zinc alloy pawl system assures the engagement of one pawl at all times.
- Pre-formed heavy duty, extra flexible, aircraft cable.



Model No.	A Single	A Double	B	C	D	E	F	G	*M
HS1-15	19-1/4	—	1	7/8	1	16-5/8	18-3/4	6	25 ^a
H1-15	19-1/4	—	1	7/8	1	16-5/8	18-3/4	6	25 ^a
H12-15	19-1/4	26-1/2	1	7/8	1	16-5/8	18-3/4	6	25 ^a
H153-13	19-3/4	26-1/2	1	7/8	1	20-3/4	23	6	25 ^a
H15-20	19-3/4	—	1	7/8	1	20-3/4	23	6	25 ^a
H153-20	20-3/4	26-1/2	1-1/16	7/8	1	21-1/4	23-3/4	6-1/2	23 ^a
H153-30	20-3/4	28	1-1/16	7/8	1	21-1/4	23-3/4	6-1/2	23 ^a
H24-20	21-1/4	28	1-1/16	7/8	1	25-1/4	27-3/4	6-1/2	23 ^a
H24-20HD	21-3/4	29-1/2	1-1/16	7/8	1	25-1/4	27-3/4	6-1/2	23 ^a
H2-5-6	—	29-1/2	1-1/16	7/8	1	25-1/4	27-3/4	6-1/2	23 ^a

*All dimensions are in inches except for "M"



Precision die cast aluminum alloy frame-anodized on Marine models

Open construction for visual inspection

All cable stores on drum

Reversible handle bends on overload to protect user and hoist

7 x 19 highly flexible aircraft cable

360° Swiveling hook with latches for positive load engagement

1/2 - 2 Ton
Made in U.S.A.

Corrosion Resistant

Every Hook Cable Hoist is made in the U.S.A.



Ratchet Lever Hoist

Industrial Grade 500-5000 lbs.

Hook Cable Hoists are designed to be used in industrial, construction and commercial applications. These durable, high quality hoists are engineered for safe and easy operation.

Safety Features

- Reversible aluminum handle is designed to bend for warning of a hazardous overload.
- Superior 360 degree drop forged swiveling hooks are equipped with safety latches.
- Meets ASME/ANSI Standard B-30.21.
- Double interlocking pawl system assures one pawl is engaged at all times.

Quality and Durability

- Utilizes pre-formed heavy duty, extra flexible, aircraft cable.
- Stainless steel springs and load bearing shafts resist corrosion.
- All rotating shafts are mounted on bronze bushings to reduce wear.
- Rugged cast aluminium alloy housings are both lightweight and dependable.
- Hard coated anodized aluminum cable guide provides extra abrasive resistance.

Easy to Operate

- Aluminum winding wheel for slack cable take up is standard on all models.
- Open construction allows for easy cleaning and inspection.
- Double interlocking pawl system assures precise load adjustments.
- Designed for two-way, two-capacity rigging.

Special Options

- Stainless steel cable for marine and high corrosion environments.
- Clevis and gate type hooks.



Model Number	Single Line		Double Line		Cable Diam In.	Net Weight Lbs.
	Capacity Lbs.	Lift Ft.	Capacity Lbs.	Lift Ft.		
H1-15	1000	15	–	–	3/16	7.5
H12-15	1000	15	2000	7.5	3/16	9.5
H153-13	1500	13	3000	6.5	3/16	10.0
H15-20	1500	20	–	–	3/16	8.5
H153-20	1500	20	3000	10.0	3/16	10.5
H153-30	1500	30	3000	15.0	3/16	12.0
H24-20	2000	20	4000	10.0	1/4	12.5
H24-12HD	2000	12.5	4000	6.5	9/32	12.5
H2.5-6			5000	6.0	9/32	12.5

Every Hook Cable Hoist is made in the U.S.A.



Ratchet Lever Hoist

The ultimate in performance, endurance and safety features. The extremely low handle effort and 360° rotating handle makes it easy to operate, and the one-handed free chaining mechanism provides for easy rigging. Ideal for construction and commercial applications.

Capacities and lift

Rated loads of 1/4, 3/4, 1, 1-1/2, 3 and 6 Tons with 5, 10, 15 and 20 foot standard lifts.

Rugged, Lightweight and Compact

Impact resistant steel body construction with-stands rigorous use.

Short stroke and low lever pull effort.

Easy free chaining

Single-hand "free chaining" system is simple, reliable and convenient.

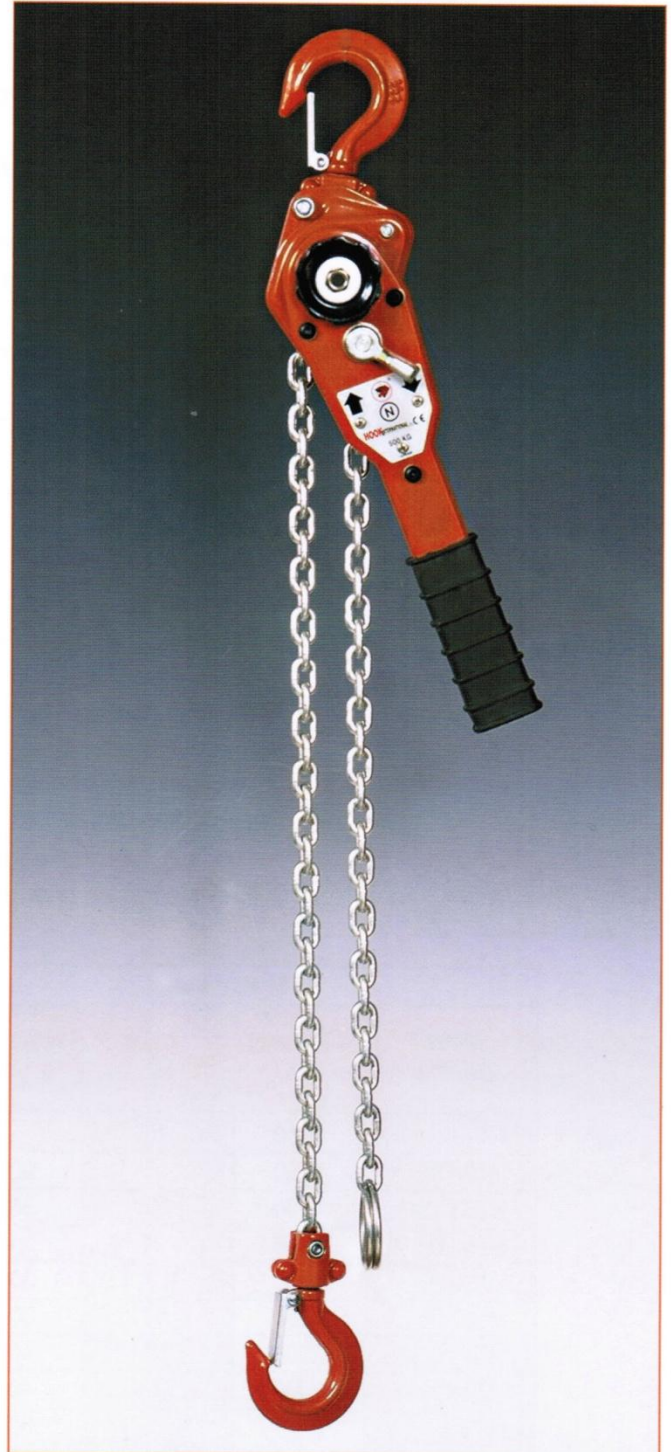
360° rotating handle

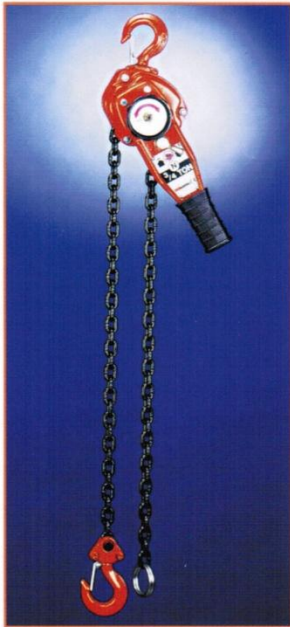
Only needs 15° handle movement to ratchet and position loads. A big plus in tight spaces.

Positive load control

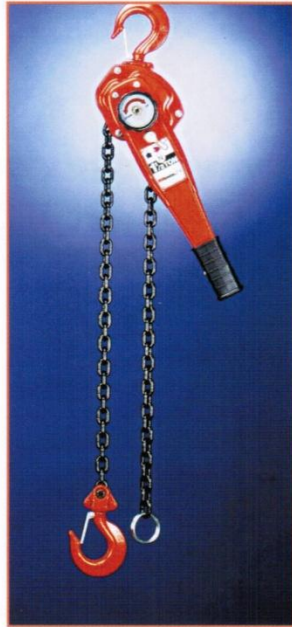
Brake system ensures positive brake engagement.

High tensile alloy chain

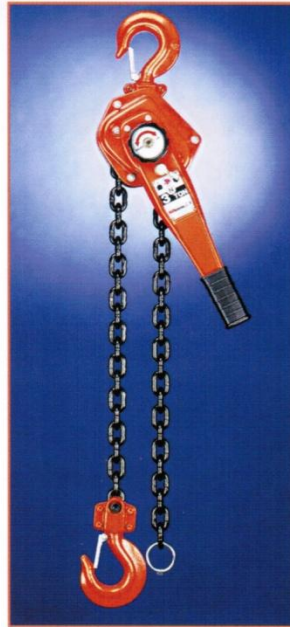




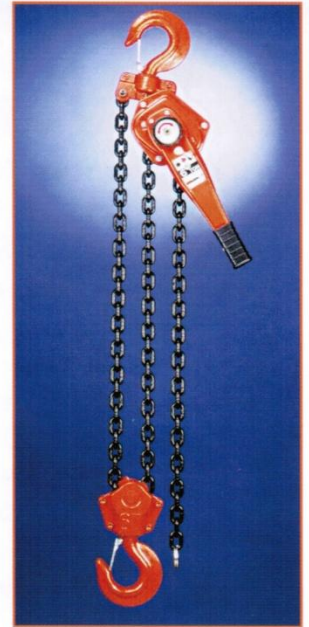
3/4 & 1 Ton



1 1/2 Ton



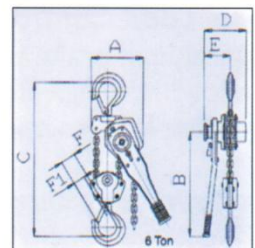
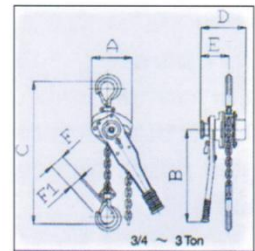
3 Ton



6 Ton

DIMENSIONS mm (inches)

CAP.	3/4 Ton	1 Ton	1 1/2 Ton	3 Ton	6 Ton
A	128 (5.04)	128 (5.04)	154 (6.06)	182 (7.17)	242 (9.53)
B	240 (9.45)	240 (9.45)	360 (14.17)	360 (14.17)	360 (14.17)
C	275 (10.8)	295 (11.61)	320 (12.60)	400 (15.75)	570 (22.44)
D	158 (6.22)	158 (6.22)	172 (6.77)	195 (7.68)	195 (7.68)
E	99 (3.90)	99 (3.90)	104 (4.09)	108 (4.25)	108 (4.25)
F	30 (1.18)	34 (1.34)	38 (1.50)	43 (1.69)	57 (2.24)
F1	26 (1.02)	30 (1.18)	34 (1.34)	38 (1.50)	52 (2.05)



TECHNICAL INFORMATION

MODEL NUMBER	FR 1500	FR 2000	FR 3000	FR 6000	FR 12000
CAPACITY (S.W.L) Ton	3/4 Ton	1 Ton	1 1/2 Ton	3 Ton	6 Ton
Standard lift (m/ft.)	1.5 (4.92)	1.5 (4.92)	1.5 (4.92)	1.5 (4.92)	1.5 (4.92)
Test load (kg/lb)	1125 (2475)	1500 (3300)	2250 (4950)	4500 (9900)	9000 (19800)
Pull on lever to lift full load (kg/lb)	22 (48.4)	29 (63.8)	26 (57.2)	38 (83.6)	40 (88)
Load chain diameter (mm/inch)	6.3 (0.248)	6.3 (0.248)	7.1 (0.28)	10 (0.394)	10 (0.394)
Number of chain falls	1	1	1	1	2
Net Weight (kg/lb)	6.9 (15.18)	7.2 (15.84)	10 (22)	17.7 (38.94)	28.1 (61.82)
Gross Weight (kg/lb)	7.38 (16.24)	7.68 (16.9)	10.75 (23.65)	18.85 (41.47)	30.1 (66.22)



Hand Chain Hoist

High strength steel frame and compact, lightweight design is ideal for construction and contractor applications where portability and easy rigging are critical.

Capacities and lift

Rated loads from 1/2 to 5 Tons with standard lifts of 5, 10, 15 and 20 feet.

Special Hand Chain Drops and other lifts are also available. Please consult factory.

Compact and Lightweight

Compact design for limited headroom applications.

Easy to operate

All major components are heat treated & precision ground to ensure smooth operation. High gear ratios reduce physical effort to a minimum.

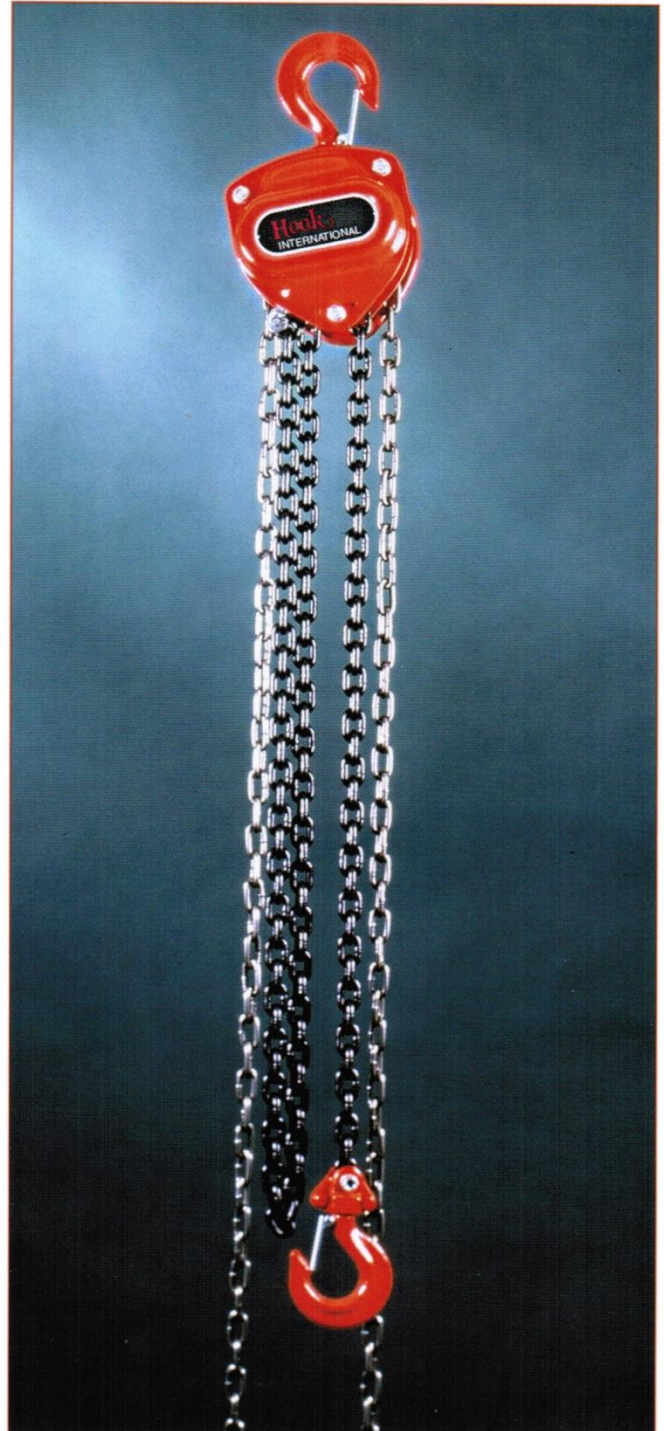
Safety & Load Controls

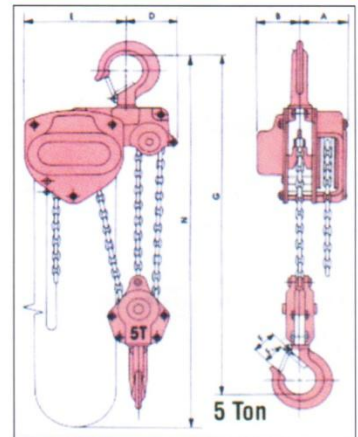
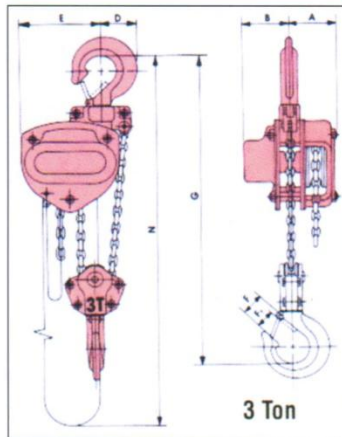
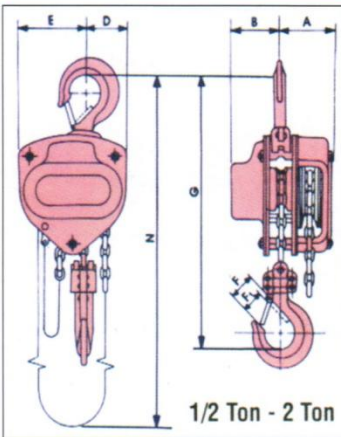
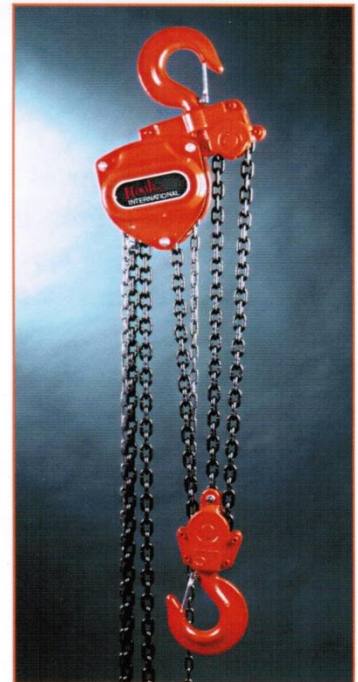
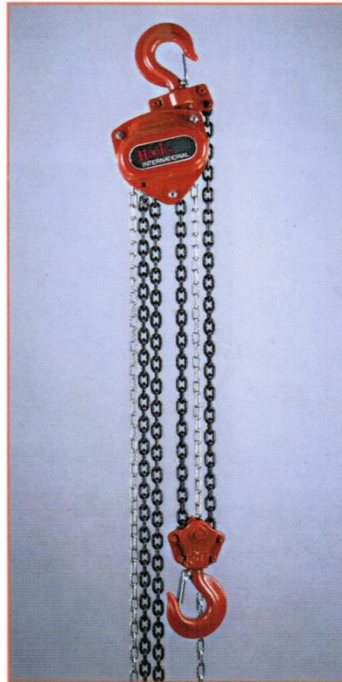
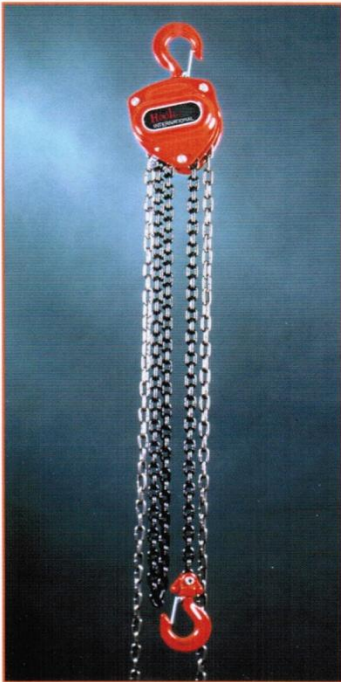
Mechanical load brake engages instantly for precise load holding. 360° swivel hooks provide positive load engagement.

High tensile alloy chain

Easy to maintain

Designed for easy inspection and maintenance.





SPECIFICATIONS & DIMENSIONS

Model Number	Cap.	S.W.L. Safe Working Load	Test Load	Standard Lift	Load Chain Diameter	Nos. of Load Chain Fall	Pulling Efforts	Head Room	Net Weight	Gross Weight	A	B	D	E	N	F	F ₁	G
	ton	kg	ton	M	mm		kg	mm	kg	kg	mm	mm	mm	mm	mm	mm	mm	mm
FH 1000	0.5	500	0.75	2.5	6.3	1	21	305	10.3	10.8	89	67	50	80	2650	30	26	305
FH 2000	1	1000	1.50	2.5	6.3	1	25	340	11.1	11.7	89	67	63	87	2655	33	28	340
FH 3000	1.5	1500	2.25	2.5	7.1	1	32	385	15.5	16.3	93	73	75	105	2660	38	34	385
FH 4000	2	2000	3.0	3.0	8.0	1	34	420	19.7	20.6	98	77	85	115	2665	43	38	420
FH 8000	3	3000	4.50	3.0	7.1	2	34	465	23.4	24.4	93	73	60	150	2675	43	38	465
FH 10000	5	5000	7.5	3.0	8.0	3	37	575	37.8	39.6	98	77	120	210	2750	57	52	575



Electric Chain Hoist

Engineered for industrial heavy duty performance. Compact in size, features dual braking system and anti-friction bearing sealed for life.

Capacities and lifts

Rated loads from 1 to 2 Ton with 10 feet lift.

Aluminum alloy body construction

Sealed for protection. Light weight and compact.

Voltages

115V Single Phase
220V Single Phase
220V 3 Phase
480V 3 Phase

Control cable with internal support steel wire.

Standard integrated 48V low voltage control.

High-tensile alloy steel load chain

Grade 80 high Tensile alloy chain.
Galvanized and wear resistant.

Chain container

Standard Equipment

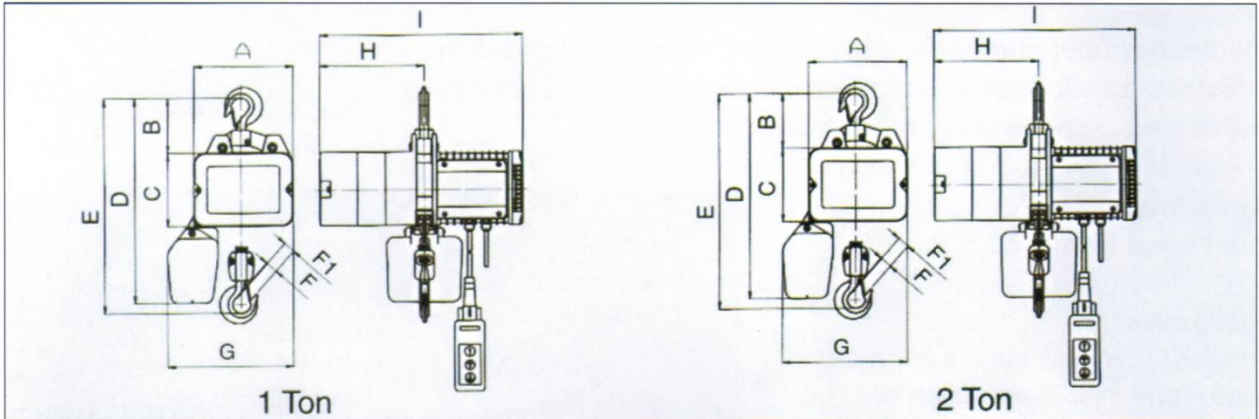
Pull-Rotor motor brake

Provides accurate and reliable stopping even in the event of a power failure.

Options

Longer lifts & control cords available
Optional larger baskets available





TECHNICAL INFORMATION

MODEL No.	FEH1000-2	FEH1000-3	FEH2000-2	FEH1000-3
Capacity (kg)	1000	1000	2000	2000
Standard Lift/Control Cable (M)	3/1.5	3/1.5	3/1.5	3/1.5
Operation Voltage (50/60HZ)	220V 1P	220V 1P	220V 1P	220V 1P
Motor Power (HP)	1.5	2	1.5	2
Lifting Speed (M/mm)	6	6	3	3
Chain Dia./falls No. (mm)	ø7.1/1	ø7.1/1	ø7.1/2	ø7.1/2
Duty-rate (ED%)	50%	60%	50%	60%
No. of Starts Per Hour	300	360	300	360
International Protection (IP)	54	54	54	54
Insulation Class	F	F	F	F
Net Weight (kg)	60	54	63	57

NOTE: The above table contains our hoist with the standard power and lift. Different power and extra long lift will be available on specific orders.

DIMENSIONS mm (inch)

MODEL (DIM)	A	B	C	D	E	F	F1	Q	H	I
FEH-1000	260 (10.24)	144 (5.67)	195 (7.68)	545 (21.46)	545 (21.46)	565 (22.24)	30 (1.18)	330 (12.99)	279 (11)	540 (21.26)
FEH-2000	260 (10.24)	160 (6.30)	195 (10.28)	660 (25.98)	660 (25.98)	665 (26.18)	39 (1.54)	330 (12.99)	279 (11)	540 (21.26)



Trolley

The economical choice for most commercial and light-duty industrial applications. The versatility to fit most types of beams and compatibility to all hoist brands.

Capacities

Rated loads from 1 to 5 Tons.

Economical

Excellent low cost choice for most manual and light duty powered applications.

Easily and fully adjustable

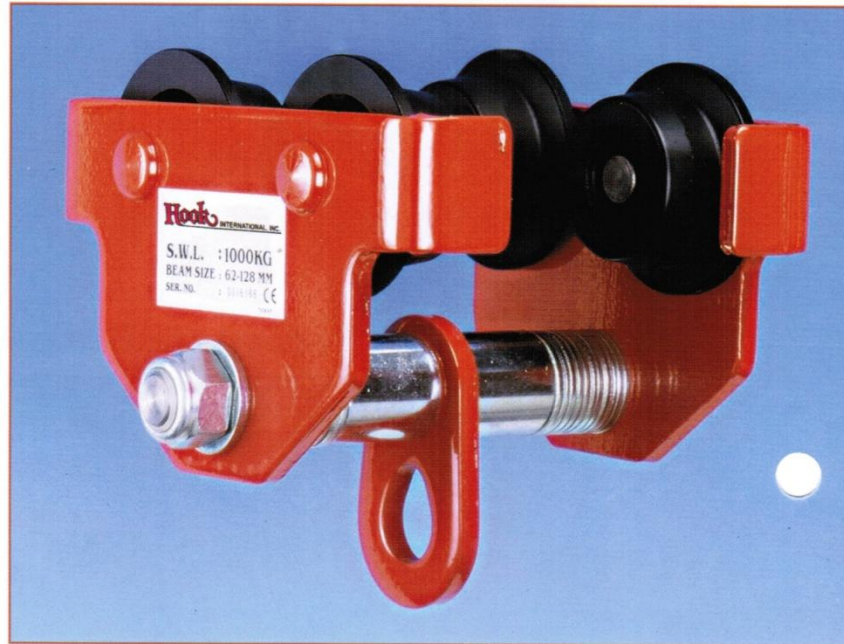
Trolleys ranging from 1/2 to 5 Tons can be easily adjusted for various I-Beam widths by merely changing the number of adjusting spacers.

Safety factor up to 5:1

The Anti-Drop plates design ensure extra safety and also prevents damage to wheels when contacting end rail stoppers.

Sealed, Precision Ball Bearing

Assist in smoother effortless rolling.



SPECIFICATIONS & DIMENSIONS

Model Number	Cap. (Ton)	Test Load (Ton)	Standard I-Beam		Max distance between spans	Track widths Adjustable Ranges	Min. Curve Radius	Plain Trolley	
			Min. size	Max. size				Net Weight	Gross Weight
			mm		M	mm	M	kg	kg
FT 1000	0.5	0.75	125 x 75 x 5.5	250 x 125 x 7.5	3.0 8.0	62-128	0.8	5.9	6.3
FT 2000	1	1.5	125 x 75 x 5.5	250 x 125 x 7.5	2.5 6.0	62-128	1.0	7.9	8.4
FT 4000	2	3.0	180 x 100 x 6	350 x 150 x 9	3.0 9.0	88-154	1.3	12.7	13.3
FT 6000	3	4.5	200 x 100 x 7	350 x 150 x 9	2.7 4.5	87-153	1.5	21.4	22.2
FT 10000	5	7.5	250 x 125 x 10	500 x 190 x 11.5	4.0 5.5	106-194	1.5	34.5	35.5

Where Price and Quality pulls its weight



Beam Clamp

Ideal as an anchor for rigging operations. Recommended for commercial, construction and industrial applications.

Capacities

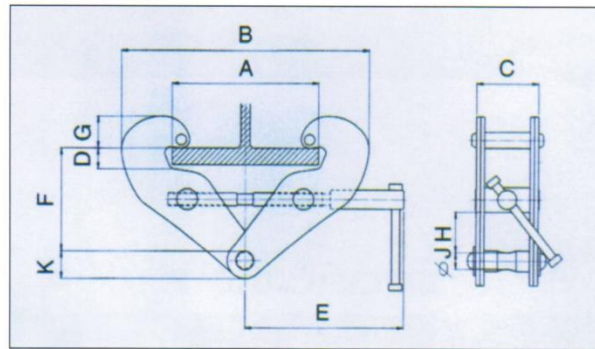
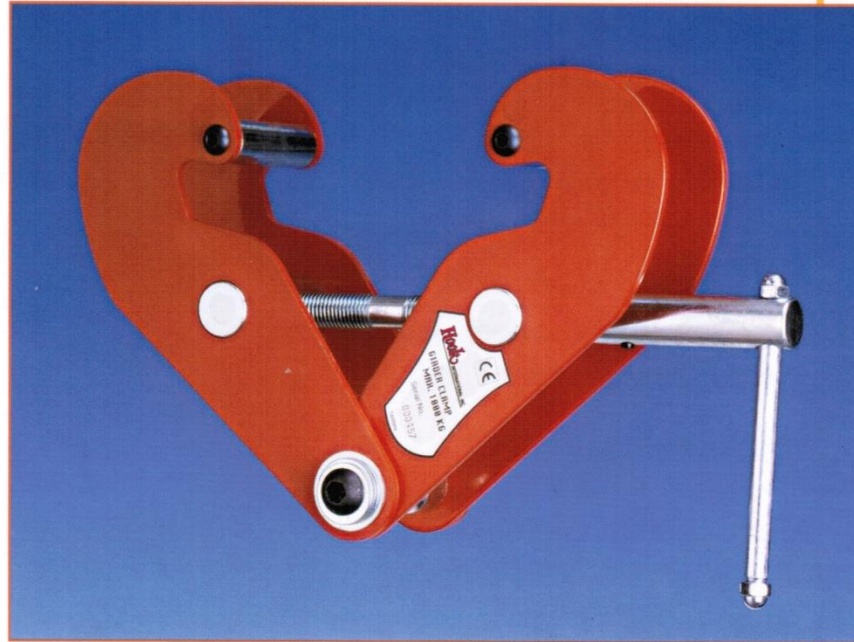
Rated loads from 1 to 5 Tons.

Low Headroom

Built in suspension bar.

Adjustable

Threaded spindle allows for easy adjustment.



DIMENSIONS mm

Cap. (Ton)	Model No.	A	B	C	D	E	F	G	øJ	K	Net Weight	Gross Weight
1	FL 1000	75-210	182-328	77	26	190	144-117	52-38	ø20	34	4	4.5
2	FL 2000	75-210	182-328	85	26	190	144-117	52-38	ø20	34	4.6	5.2
3	FL 3000	75-305	214-460	107	35	240	224-179	58-40	ø22	42	8.4	9.1
5	FL 5000	75-305	214-460	121	35	240	220-175	58-40	ø28	45	10	10.7

A strong grip on performance



Brake Winch

Capacity and Lifts

3/4 to 1-1/4 Tons with 10 and 100 feet lifts.

Positive load-actuated brake can hold the load in any position.

Compact, light weight and rugged construction

Superior Gear Design

Heat treated and enclosed gear box for most durable lasting performance.

Please Note:

Winch does not include wire rope and hook. Upon request, Hook International will install wire rope & hook based on customers application.



- Light weight and attractive
- The winch has a universal mounting base

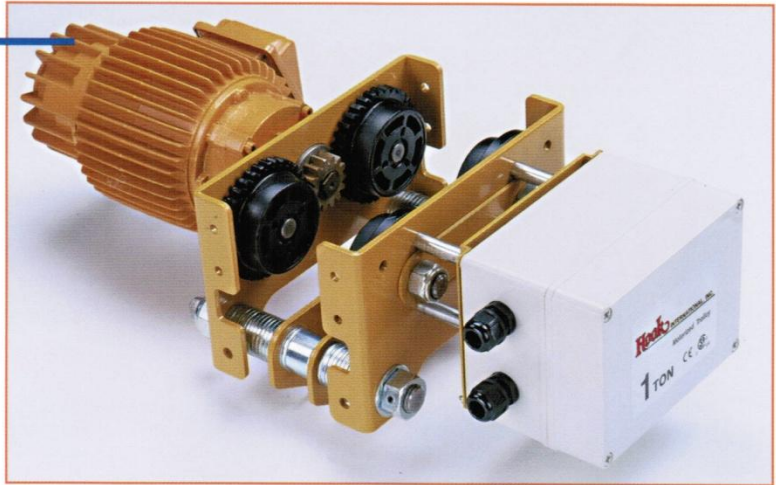
SPECIFICATIONS

Model Number	FW - 800	FW - 1200	FW - 1800	FW - 2600
Capacity(Lbs.)	800	1200	1800	2600
Gand Force Required (kg)	14.5	15	22	19
Gear Ratio	4.1:1	4.1:1	5:1	10:1
Hub Diameter (mm)	ø40	ø50	ø70	ø80
Handle Length (mm)	160	210	320	320
Unit Weight(kg)	3	3.3	8	10.3
Rope Diameter (mm) (Ref.)	ø4	ø5	ø7	ø8
Rope Storage Cap.(M)	36	23	24	18

Superior quality, reliability and performance



Motorized Trolley



1/4 Ton Ratchet Lever Hoist 5 ft. Lift Net Weight 4.5 lbs.



Designed for

- Safety
- Durability
- Versatility



Hook Up with the best



HOOK INTERNATIONAL, INC.
Manufacturers of Lifting & Pulling Equipment



WARRANTY – ONE FULL YEAR

Hook International, Inc. warrants its' products for one full year against defects in material and workmanship. Every hoist is thoroughly inspected and tested prior to shipment. Should any problem develop, return the hoist prepaid to Hook International, Inc. in Pinellas Park, FL. The following information must accompany the product: (1) returned goods authorization number that is issued by the factory; (2) purchase date and Hook invoice number; (3) claimed defect and circumstances.

If inspection reveals that the problem was caused by defective workmanship or material, repairs will be made without charge and the hoist will be returned, transportation prepaid, or at Hooks option, the hoist will be replaced or the purchase price refunded.

This warranty does not apply where: (1) problems resulted from repairs, modifications, or alterations made by persons other than Hook authorized repair personnel; (2) deterioration is caused by normal wear, abuse, side loading, overloading, chemical or abrasive action, or improper maintenance; (3) repair parts or accessories other than those supplied by Hook are used on the hoist. Equipment and accessories not of the sellers manufacture are warranted by that manufacturer; (4) the hoist has been abused or damaged as a result of an accident. Except as noted herein, Hook International, Inc. makes no other warranties, expressed or implied, including warranties of merchantability and fitness for a particular purpose.

Warning: the equipment described and shown in this literature is intended for industrial use only and should not be used to lift or support human cargo.

Returned Goods Policy: Hook International, Inc. will not accept any returned goods unless authorized in advance with a signed and numbered Returned Goods Authorization Form. Unauthorized returns will be returned at the senders expense. Authorized returns shall be sent prepaid. A 20% restocking charge will be applied.

! WARNING

Overloading and Improper Use Can Result In Injury.

To Avoid Injury:

- Do not exceed working load limit, load rating or capacity.
- Do not use to lift people or loads over people.
- Read and follow all instructions.



Distributed By

Tel: 727-209-0855
Fax: 727-209-0865
hook@hookinternational.com
www.HookInternational.com