



Remote Safety Cutter Battery Operated



Battery Pump Unit



Remote Control



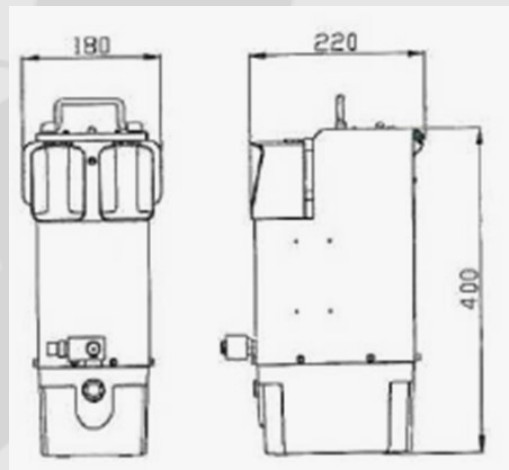
Non Conductive Hose



100mm AL/CU Cutter

- ◆ Safety Cutter to be used instead of cable spiking.
- ◆ Operated via transmitter receiver the pump can be activated from 10-15 meters away via a remote hand held transmitter protecting the operator from potential live line cuts.
- ◆ 100mm Cutting Head connected to the Pump unit via 8 meters of Non Conductive hose.
- ◆ Pump Oil Pressure 10,000 psi.

Note: Hoses must be tested for non conductivity every 6 months



Pump weight 14.5 kgs Inc. batteries
Cutter weight 14 kgs



WEB: www.austutilities.com.au
EMAIL: sales@austutilities.com.au

PHONE: 08 9406 3200